

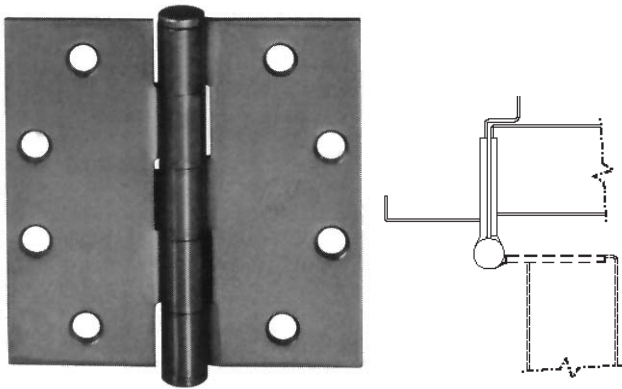
FULL MORTISE/PLAIN BEARING/5 KNUCKLE HINGES

McKinney hinges are available with the following options:

Non-removable Pin	(NRP)	Raised Barrel	(RB)
Ball Bearing	(TB)	Rust Resistant Base	(S)
Concealed Bearing	(TCA)	Concealed Circuit 4 Wire	(CC4)
Round Corner	(RC)	Concealed Circuit 6 Wire	(CC6)
Hospital Tip	(HT)	Concealed Circuit 8 Wire	(CC8)
Ball Tip	(BT)	Magnetic Monitoring	(MM)
Steeple Tip	(ST)	Slip In type I or II	
Safety Stud	(SSF)		

Plain bearing is the designation for hinges with no bearing. Knuckles are machined with bearing-like surfaces to move against each other. Not recommended for high frequency doors or doors with closing devices.

Full Mortise/ Plain Bearing/Five Knuckle/Standard Weight Hinges



MCK T2714, MCK T2314

MCK T2714

Steel base metal, polished and plated. Furnished with all wood screws and all machine screws except prime coat (USP or BHMA 600), furnished with all machine screws and 1/2 wood screws.

Size Ht x Open Width	Thickness	Screw Size		Box Qty	Ctn Qty
		Machine	Wood		
3 1/2 x 3 1/2"	.123	10/24 x 1/2"	10 x 1"	2	100
4 x 4"	.130	12/24 x 1/2"	12 x 1 1/4"	3	48
4 1/2 x 4"	.134	12/24 x 1/2"	12 x 1 1/4"	3	48
4 1/2 x 4 1/2"	.134	12/24 x 1/2"	12 x 1 1/4"	3	48
5 x 4 1/2"	.146	12/24 x 1/2"	12 x 1 1/4"	3	24
5 x 5"	.146	12/24 x 1/2"	12 x 1 1/4"	3	24
6 x 6"	.160	1/4-20 x 1/2"	12 x 1 1/4"	3	24

Stocked in the following sizes and finishes. Other sizes and finishes available on Factory Order.

Part No.	Description
MCK T2714-600 3-1/2 x 3-1/2	-----Butt Hinge US3
MCK T2714-600 4 x 4	-----Butt Hinge USP
MCK T2714-600 4 x 4 NRP	-----Butt Hinge USP
MCK T2714-600 4-1/2 x 4-1/2	-----Butt Hinge USP
MCK T2714-600 4-1/2 x 4-1/2 NRP	----Butt Hinge USP
MCK T2714-632 3-1/2 x 3-1/2	-----Butt Hinge US3
MCK T2714-632 4 x 4	-----Butt Hinge US3
MCK T2714-632 4-1/2 x 4-1/2	-----Butt Hinge US3
MCK T2714-633 3-1/2 x 3-1/2	-----Butt Hinge US4
MCK T2714-633 4 x 4	-----Butt Hinge US4
MCK T2714-633 4 x 4 NRP	-----Butt Hinge US4
MCK T2714-633 4-1/2 x 4-1/2	-----Butt Hinge US4
MCK T2714-633 4-1/2 x 4-1/2 NRP	----Butt Hinge US4
MCK T2714-639 4-1/2 x 4-1/2	-----Butt Hinge US10
MCK T2714-640 3-1/2 x 3-1/2	-----Butt Hinge US10B
MCK T2714-640 4 x 4	-----Butt Hinge US10B
MCK T2714-640 4 x 4 NRP	-----Butt Hinge US10B
MCK T2714-640 4-1/2 x 4-1/2	-----Butt Hinge US10B
MCK T2714-640 4-1/2 x 4-1/2 NRP	----Butt Hinge US10B
MCK T2714-651 3-1/2 x 3-1/2	-----Butt Hinge US26
MCK T2714-651 4 x 4	-----Butt Hinge US26
MCK T2714-651 4-1/2 x 4-1/2	-----Butt Hinge US26
MCK T2714-652 3-1/2 x 3-1/2	-----Butt Hinge US26D
MCK T2714-652 4 x 4	-----Butt Hinge US26D
MCK T2714-652 4 x 4 NRP	-----Butt Hinge US26D
MCK T2714-652 4-1/2 x 4-1/2	-----Butt Hinge US26D
MCK T2714-652 4-1/2 x 4-1/2 NRP	----Butt Hinge US26D

Also available in 2 knuckle (MCK T2731) and 3 knuckle (MCK T714) F/O

MCK T2314

Same specifications as MCK T2714 with a non-ferrous base metal. Made of brass, bronze or stainless steel depending on finish. Pin is stainless steel, screws are of the same material as the hinge. Recommended for use on exterior doors where humidity is a factor. Other sizes and finishes available on factory order.(F/O)

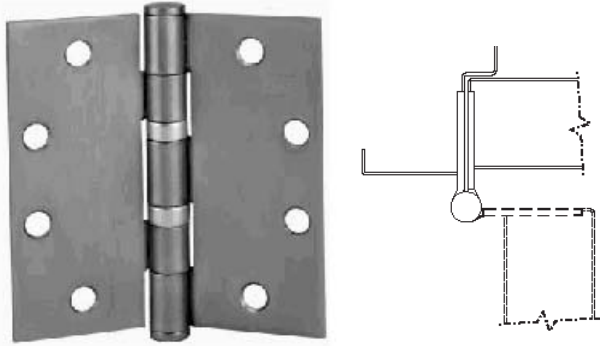
Part No.	Description
MCK T2314-605 4 x 4	-----Butt Hinge US3
MCK T2314-605 4-1/2 x 4-1/2	-----Butt Hinge US3
MCK T2314-613 4 x 4	-----Butt Hinge US10B
MCK T2314-613 4-1/2 x 4-1/2	-----Butt Hinge US10B
MCK T2314-626 4-1/2 x 4-1/2	-----Butt Hinge US26D
MCK T2314-630 4 1/2 x 4 1/2	-----Butt Hinge US32D
MCK T2314-630 4 1/2 x 4 1/2 NRP	----Butt Hinge US32D

Also available in 3 knuckle (MCK T314)

FULL MORTISE/OILITE BEARING/5 KNUCKLE HINGES

Oilite bearings are a one piece, non-ferrous and self-lubricating bearing. They ensure long lasting wear and resistance to clogging, corrosion and hinge failure. Available two or four bearings per hinge.

Full Mortise/Two Oilite Bearing/Five Knuckle/Standard Weight



MCK TA2714, MCK TA2314

MCK TA2714

Steel base metal, polished and plated. Furnished with all machine screws and all wood screws except prime coat (USP or BHMA 600), furnished with all machine screws and 1/2 wood screws. Recommended for standard weight, medium frequency doors, or doors with closing devices.

Size Ht x Open Width	Thickness	Screw Size		Box Qty	Ctn Qty
		Machine	Wood		
3 1/2 x 3 1/2"	.123	10/24 x 1/2"	10 x 1"	3	48
4 x 4"	.130	12/24 x 1/2"	12 x 1 1/4"	3	48
4 1/2 x 4"	.134	12/24 x 1/2"	12 x 1 1/4"	3	48
4 1/2 x 4 1/2"	.134	12/24 x 1/2"	12 x 1 1/4"	3	48
5 x 4 1/2"	.146	12/24 x 1/2"	12 x 1 1/4"	3	24
5 x 5"	.146	12/24 x 1/2"	12 x 1 1/4"	3	24
6 x 6"	.160	1/4-20 x 1/2"	12 x 1 1/4"	3	24

Also available in 2 knuckle (MCK TA2731) and 3 knuckle (MCK TA714) F/O

Part No.	Description
MCK TA2714-600 4 x 4	Butt Hinge USP
MCK TA2714-600 4-1/2 x 4-1/2	Butt Hinge USP
MCK TA2714-600 4-1/2 x 4-1/2 NRP	Butt Hinge USP
MCK TA2714-600 5 x 5	Butt Hinge USP
MCK TA2714-632 3-1/2 x 3-1/2	Butt Hinge US3
MCK TA2714-632 4 x 4	Butt Hinge US3
MCK TA2714-632 4-1/2 x 4-1/2	Butt Hinge US3
MCK TA2714-632 4 1/2 x 4 1/2 NRP	Butt Hinge US3
MCK TA2714-639 4-1/2 x 4-1/2	Butt Hinge US10
MCK TA2714-640 3-1/2 x 3-1/2	Butt Hinge US10B
MCK TA2714-640 4 x 4	Butt Hinge US10B
MCK TA2714-640 4-1/2 x 4-1/2	Butt Hinge US10B
MCK TA2714-640 4-1/2 x 4-1/2 NRP	Butt Hinge US10B
MCK TA2714-651 4 x 4	Butt Hinge US26
MCK TA2714-651 4-1/2 x 4-1/2	Butt Hinge US26
MCK TA2714-651 4-1/2 x 4-1/2 NRP	Butt Hinge US26
MCK TA2714-652 4 x 4	Butt Hinge US26D
MCK TA2714-652 4-1/2 x 4-1/2	Butt Hinge US26D
MCK TA2714-652 4-1/2 x 4-1/2 NRP	Butt Hinge US26D
MCK TA2714-652 5 x 5	Butt Hinge US26D

ANSI Cross Reference: A2112 Brass, Bronze/A5112 Stainless/A8112 Steel
Also available in 2 knuckle (TA2731) and 3 knuckle (TA714) F/O

MCK TA 2314

Same specifications as MCK TA2714 with a non-ferrous base metal. Made of brass, bronze or stainless steel depending on finish. Pin is stainless steel, screws are of the same material as the hinge. Recommended for use on exterior doors where humidity is a factor. Other sizes and finishes available on F/O.

Part No.	Description
MCK TA2314-605 4-1/2 x 4-1/2	Butt Hinge US3
MCK TA2314-613 4-1/2 x 4-1/2	Butt Hinge US10B
MCK TA2314-625 4-1/2 x 4-1/2	Butt Hinge US26
MCK TA2314-626 4 1/2 x 4 1/2	Butt Hinge US26D
MCK TA2314-630 4 1/2 x 4 1/2	Butt Hinge US32D
MCK TA2314-630 4 1/2 x 4 1/2 NRP	Butt Hinge US32D

Also available in 3 knuckle (MCK TA314)

FULL MORTISE HEAVY WEIGHT SERIES HINGES

Oilite bearings are a one piece non-ferrous and self-lubricating bearing. They ensure long lasting wear and resistance to clogging, corrosion and hinge failure. Four bearings per hinge. for use on heavy doors of high frequency use where high service is demanded such as schools, hospitals, theaters or other public buildings. Not stocked, available on factory order.

All heavy weight full mortise hinges are pack with all machine 1/2 wood screws.

Full Mortise/Four Oilite Bearing/Five Knuckle



Steel base metal, polished and plated. Furnished with all machine and 1/2 wood screws.

Part No.: MCK T4A3786

Size Ht x Open Width	Thickness	Screw Size		Box Qty	Ctn Qty
		Machine	Wood		
4 1/2 x 4 1/2"	.180	12/24 x 1/2"	12 x 1 1/4"	3	24
5 x 4 1/2"	.190	12/24 x 1/2"	12 x 1 1/4"	3	24
5 x 5"	.190	12/24 x 1/2"	12 x 1 1/4"	3	24
6 x 5"	.203	1/4-20 x 1/2"	12 x 1 1/4"	3	18
6 x 6"	.203	1/4-20 x 1/2"	12 x 1 1/4"	3	18

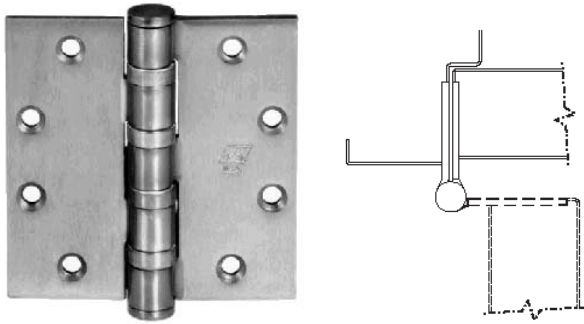
The Following are supplied with 6 Bearings — Specify MCK T6A3786
8 x 6" .225 1/4-20 x 1/2" 14 x 1 1/4" 3 12
8 x 8" .225 1/4-20 x 1/2" 14 x 1 1/4" 3 12

Available in the following finishes: 600 (USP), 632, (US3), 633 (US4), 639 (US10), 640 (US10B), 651 (US26), and 652 (US26D). Other custom finishes available upon request.

Also available in:
2 knuckle (MCK TA3750)
3 Knuckle (MCK TA786)

FULL MORTISE HEAVY WEIGHT SERIES HINGES

Full Mortise/Four Oilite Bearing/Five Knuckle



Part No.: MCK T4A3386

Same specifications as MCK T4A3786 with a non ferrous base metal. Supplied in brass, bronze or stainless steel depending on finish. Pin is stainless steel. Screws are the same material as the hinge. Recommended for use on exterior doors where humidity is a factor.

Size Ht x Open Width	Thickness	Screw Size		Box Qty	Ctn Qty
		Machine	Wood		
4 1/2 x 4 1/2"	.180	12/24 x 1/2"	12 x 1 1/4"	3	24
5 x 4 1/2"	.190	12/24 x 1/2"	12 x 1 1/4"	3	24
5 x 5"	.190	12/24 x 1/2"	12 x 1 1/4"	3	24
6 x 5"	.203	1/4-20 x 1/2"	12 x 1 1/4"	3	18
6 x 6"	.203	1/4-20 x 1/2"	12 x 1 1/4"	3	18

Available in the following finishes: 605 (US3), 606, (US4), 612 (US10), 613 (US10B), 625 (US26), 626 (US26D), 629 (US32), 630 (US32D). Other custom finishes available upon request.

ANSI Cross Reference: A2111 Brass, Bronze/A5111 Stainless/A811 Steel

Also available in:

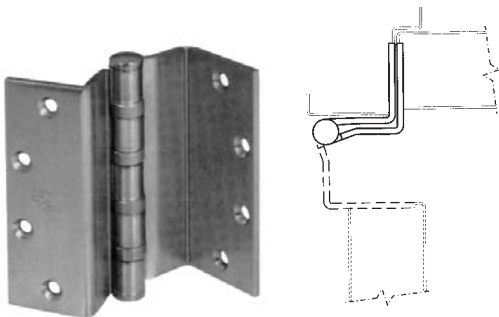
- 2 knuckle (MCK TA3350)
- 3 knuckle (MCK TA386)

SWING CLEAR HINGES

Swing clear hinges have an offset pin that puts the pivot point along the face of the hinge jamb. By having the pivot point in this position, the door edge and the barrel of the hinge are removed as obstacles in the opening of the door at 90° or more of swing. Especially useful in hospitals and schools.

Full Mortise/Two Oilite Bearing/5 Knuckle

Standard Weight



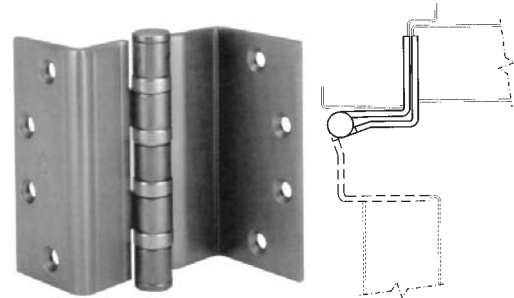
Part No.: MCK TA2895

Steel base metal, polished and plated. Supplied with all machine screws and 1/2 wood screws. Not stocked, available F/O.

Size Vertical	Thickness	Screw Size		Box Qty	Ctn Qty
		Machine	Wood		
4 1/2"	.134	12/24 x 1/2"	12 x 1 1/4"	3	24

Available in the following finishes: 600 (USP), 632, (US3), 633 (US4), 639 (US10), 640 (US10B), 651 (US26), and 652 (US26D). Custom finishes available upon request.

Full Mortise/Four Bearing/Five Knuckle/Heavy Weight



Part No.: MCK T4A3795

Steel base metal, polished and plated. Supplied with all machine screws and 1/2 wood screws. Not stocked, available on F/O

Size Vertical	Thickness	Screw Size		Box Qty	Ctn Qty
		Machine	Wood		
4 1/2"	.180	12/24 x 1/2"	12 x 1 1/4"	3	24
5"	.190	12/24 x 1/2"	12 x 1 1/4"	3	24

Available in the following finishes: 600 (USP), 632, (US3), 633 (US4), 639 (US10), 640 (US10B), 651 (US26), and 652 (US26D).

Other custom finishes available upon request.

Also available in:

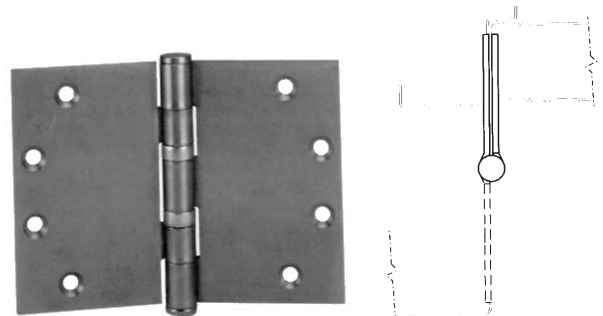
- 3 Knuckle (MCK TA795)
- Non-Ferrous Metal (MCK T4A3395)

WIDE THROW HINGES

Wide throw hinges are used when a door is not flush with the frame, setting back in a deep reveal from the face of the frame or a projecting wall. The hinge sets the pin away from the door so that it can swing 180°.

Full Mortise/Two Oilite Bearing/Five Knuckle

Standard Weight



Part No.: MCK TA2798

Steel base metal, polished and plated. Supplied with all wood screws and 1/2 wood screws. Not stocked, available on F/O

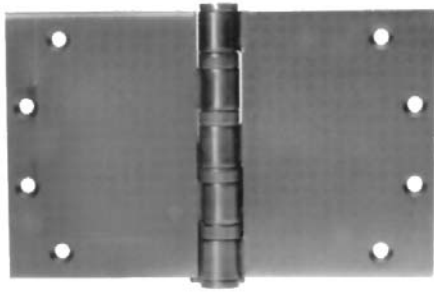
Size Ht x Open Width	Thickness	Screw Size		Box Qty	Ctn Qty
		Machine	Wood		
3 1/2 x 5"	.123	10/24 x 1/2"	10 x 1"	3	24
3 1/2 x 6"	.123	10/24 x 1/2"	10 x 1"	3	24
4 x 6"	.130	12/24 x 1/2"	12 x 1 1/4"	3	24
4 x 7"	.130	12/24 x 1/2"	12 x 1 1/4"	3	24
4 1/2 x 6"	.134	12/24 x 1/2"	12 x 1 1/4"	3	24
4 1/2 x 7"	.134	12/24 x 1/2"	12 x 1 1/4"	3	24
4 1/2 x 8"	.134	12/24 x 1/2"	12 x 1 1/4"	3	24
5 x 7"	.146	12/24 x 1/2"	12 x 1 1/4"	3	24
5 x 8"	.146	12/24 x 1/2"	12 x 1 1/4"	3	24

Available in the following finishes: 600 (USP), 632, (US3), 633 (US4), 639 (US10), 640 (US10B), 651 (US26), and 652 (US26D).

Custom finishes available upon request.

WIDE THROW HINGES

Heavy Weight/Four Oilite Bearing



Part No.: MCKT4A3786

Performs the same functions the MCK TA2798, only with heavy weight leaves and four oilite bearings. For use on heavy doors of high frequency use where high service is required such as schools, hospitals, theaters and other public buildings. Supplied with all machine screws and 1/2 wood screws. Not stocked, available on F/O.

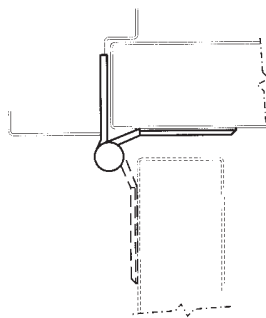
Size Ht x Open Width	Thickness	Screw Size Machine	Screw Size Wood	Box Qty	Ctn Qty
4 1/2 x 5"	.180	12/24 x 1/2"	12 x 1 1/4"	3	24
4 1/2 x 6"	.190	10/24 x 1/2"	12 x 1 1/4"	3	24
4 1/2 x 7"	.190	12/24 x 1/2"	12 x 1 1/4"	3	24
4 1/2 x 8"	.203	12/24 x 1/2"	12 x 1 1/4"	3	24
5 x 6"	.203	12/24 x 1/2"	12 x 1 1/4"	3	24
5 x 8"	.203	12/24 x 1/2"	12 x 1 1/4"	3	24

The MCK T4A3786 is also available in Non-Ferrous metal. Specify: MCKT4A3386 Wide Throw.

HALF SURFACE FIVE KNUCKLE HINGES

Half surface hinges are mortised into the side of the jamb and applied to the surface of the door. Not stocked, available on F/O.

Standard Weight/Plain Bearing/Plated Steel



Part No.	Size Vertical	Thickness	Available Finishes
MCKT2772	4 1/2"	.134	600, 632, 633, 639, 640, 651, 652

Standard Weight/Two Oilite Bearing



MCKTA2772, MCKTA2372

Plated Steel

Part No.	Size Vertical	Thickness	Available Finishes
MCKTA2772	4 1/2"	.134	600, 632, 633, 639, 640, 651, 652

Also available in 3 knuckle:

MCKTA772

Non-Ferrous

Part No.	Size Vertical	Thickness	Available Finishes
MCKTA2372	4 1/2"	.134	USP, 605, 606, 612, 613, 625, 626, 629, 630
	5"	.146	Same

Also available in 3 knuckle: MCKTA372

Heavy Weight/Four Oilite Bearing



MCKT4A3782

Plated Steel

Part No.	Size Vertical	Thickness	Available Finishes
MCKT4A3782	4 1/2"	.180	600, 632, 633, 639, 640, 651, 652
	5"	.190	Same
	6"	.203	Same

Also available in:

MCKTA782-----3 knuckle

MCKT4A3796-----Swing Clear

MCKTA796-----3 Knuckle Swing Clear

Non-Ferrous

Part No.	Size Vertical	Thickness	Available Finishes
MCKT4A3382	4 1/2"	.180	USP, 605, 606, 612, 613, 625, 626, 629, 630
	5"	.190	Same
	6"	.203	USP, 605, 606, 612, 613, 625, 626

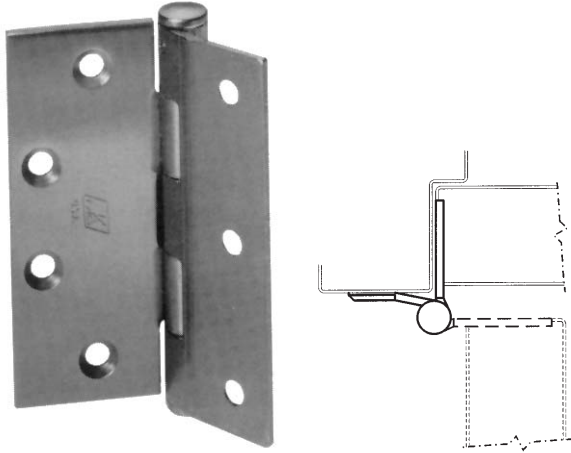
Also available in:

MCKTA382-----3 Knuckle

HALF MORTISE FIVE KNUCKLE HINGES

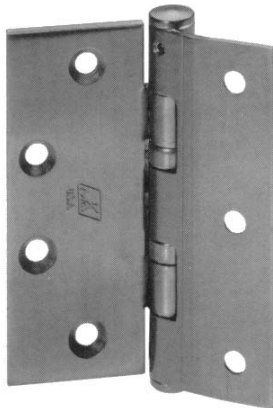
Half mortise hinges are applied to the surface of the jamb and mortised into the edge of the door. Not stocked, available on Factory Order.

Standard Weight/Plain Bearing



Part No.	Size Vertical	Thickness	Available Finishes
MCK T2774	4 1/2"	.134	600, 632, 633, 639, 640, 651, 652

Standard Weight/Two Oilite Bearing

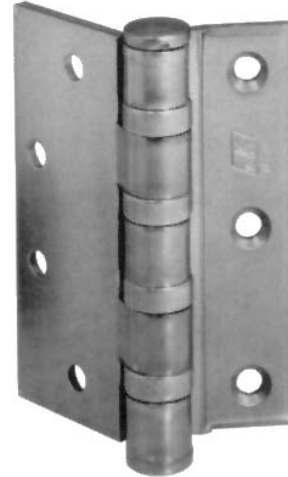


MCK TA2774

Part No.	Size Vertical	Thickness	Available Finishes
MCK TA2774	4 1/2"	.134	600, 632, 633, 639, 640, 651, 652
	5"	.146	Same

Also available in:
MCK TA774-----3 knuckle

Heavy Weight/Four Oilite Bearing



MCK T4A3784, MCK T4A3384

Plated Steel

Part No.	Size Vertical	Thickness	Available Finishes
MCK T4A3784	4 1/2"	.180	600, 632, 633, 639, 640, 651, 652
	5"	.190	Same
	6"	.203	Same

Also available in:
MCK TA784-----3 knuckle
MCK T4A3789-----5 Knuckle Swing Clear
MCK TA789-----3 Knuckle Swing Clear

Non-Ferrous

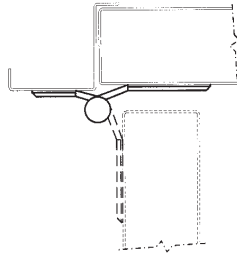
Part No.	Size Vertical	Thickness	Available Finishes
MCK T4A3384	4 1/2"	.180	USP, 605, 606, 612, 613, 625, 626, 629, 630
	5"	.190	Same
	6"	.203	USP, 605, 606, 612, 613, 625, 626

Also available in:
MCK TA384-----3 knuckle

FULL SURFACE FIVE KNUCKLE HINGES

Full surface hinges are applied to the surface of both the jamb and the door. Not stocked, available on Factory Order.

Standard Weight/Two Oilite Bearing



Plated Steel

Part No.	Size Vertical	Thickness	Available Finishes
MCK TA2771	4 1/2"	.134	600, 632, 633, 640, 651, 652
	5"	.146	Same

Also available in:

MCK TA771 -----3 Knuckle

Non-Ferrous

Part No.	Size Vertical	Thickness	Available Finishes
MCK TA2371	4 1/2"	.134	USP, 605, 606, 612, 613, 625, 626, 629, 630
	5"	.146	Same

Also available in:

MCK TA371 -----3 Knuckle

Heavy Weight/Four Oilite Bearing



MCK T4A3781, MCK T4A3381

Plated Steel

Part No.	Size Vertical	Thickness	Available Finishes
MCK T4A3781	4 1/2"	.180	600, 632, 633, 640, 651, 652
	5"	.190	Same
	6"	.203	Same

Also available in:

MCK TA781 -----3 Knuckle

MCK T4A3797 -----5 Knuckle Swing Clear

MCK TA797 -----3 Knuckle Swing Clear

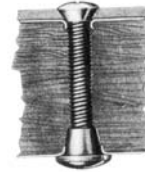
Non-Ferrous

Part No.	Size Vertical	Thickness	Available Finishes
MCK T4A3381	4 1/2"	.180	USP, 605, 606, 612, 613, 625, 626, 629, 630
	5"	.190	Same
	6"	.203	Same

Also available in:

MCK TA381 -----3 Knuckle

PARTS



Part No.	Description
MCK 1 x 10 600	Wood Screw USPC
MCK 1 x 10 633	Wood Screw US4
MCK 1 x 10 639	Wood Screw US10
MCK 1 x 10 640	Wood Screw US10B
MCK 1 x 10 652	Wood Screw US26D
MCK 1-1/4 x 12 600	Wood Screw USPC
MCK 1-1/4 x 12 633	Wood Screw US4
MCK 1-1/4 x 12 639	Wood Screw US10
MCK 1-1/4 x 12 640	Wood Screw US10B
MCK 1-1/4 x 12 651	Wood Screw US26
MCK 1-1/4 x 12 652	Wood Screw US26D
MCK 10/24 633	Machine Screw US4
MCK 10/24-600	Machine Screw USPC
MCK 10/24-639	Machine Screw US10
MCK 10/24-640	Machine Screw US10B
MCK 10/24-652	Machine Screw US26D
MCK 12/24-600	Machine Screw USPC
MCK 12/24-633	Machine Screw US4
MCK 12/24-639	Machine Screw US10
MCK 12/24-640	Machine Screw US10B
MCK 12/24-652	Machine Screw US26D