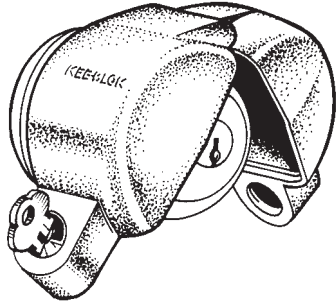


**Kee Blok**

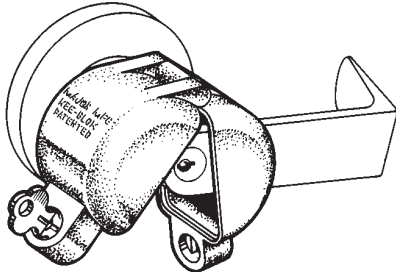


*A Must for All Travelers!*

- Blocks all existing keys to a knob-lock in seconds!
- Fits 90% of all knob locks
- Prevents entry of any existing keys
- Portable! Fits in the palm of your hand
- Added protection! A new lock in seconds
- Available keyed alike & keyed different
- High strength aluminum alloy
- Finish: Silver powdercoat standard or optional finishes available F/O (red, yellow, green, blue)

**Part No.**

- MAJ A100 KA MMC1
- MAJ A100 KA MMC14
- MAJ A100 KA MMC15
- MAJ A100 KA MMC17
- MAJ A100 KD

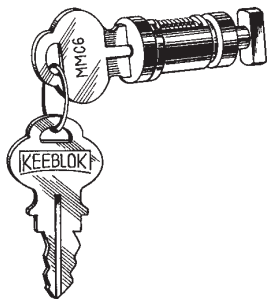


*Blocks all existing keys to a lever handle lock in seconds!*

**Part No.**

- MAJ A200 KA MMC1
- MAJ A200 KD

**Replacement Kee Blok Cylinder**

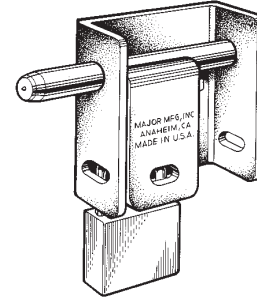


For all Kee-Blok models.

**Part No.**

- MAJ A100 3326 KA MMC1
- MAJ A100 3326 KD

**Garage Blok**



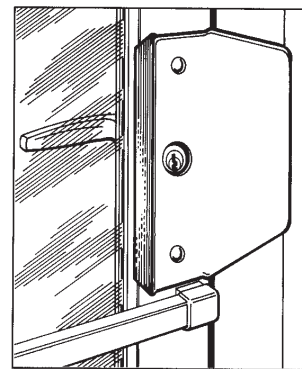
*Jimmie-Proof shield for the garage, warehouse, overhead or swinging doors, etc.*

- Hardened steel bolt and built-in "lock shield" eliminates sawing either in half
- 5/8" hardened steel locking bolt featuring a centered point for pin-pointing drilling accuracy
- Protective padlock shield
- Tough, armored 2 1/4 pound 3/16" steel housing, plated in zinc chromate
- Anchored by four 5/16" carriage bolts, washers and nuts supplied for mounting
- Blok can be locked in open bolt position
- Available in right & left side models
- Easily installed

**Part No. Description**

- MAJ A500L -----LH
- MAJ A500R -----RH

**Aluma Guard**



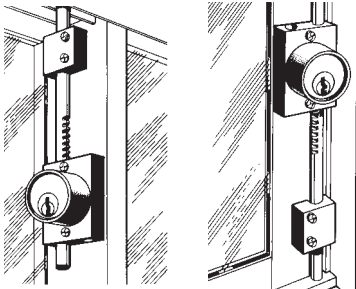
Forms a shield of armor on latch/cylinder of out-swinging aluminum framed glass doors.

- Protects aluminum framed glass doors against: caseknife, jimmying, cylinder pulling and wrenching, door and frame separation.
- Completely covers area of door and frame near lock bolt to prevent caseknife attack
- Protects cylinder pulling, wrenching and lockbolt from being jimmed
- Anchor frame pad help prevent door jamb separation
- Heavy gauge steel "Aluma-Guard" is easily installed with anchor pads and through bolts without lock removal
- Size: 6 7/8 H x 4 1/8 W. Complete with all mounting hardware and directions

**Part No.**

- MAJ AG1 A

**Octopod**

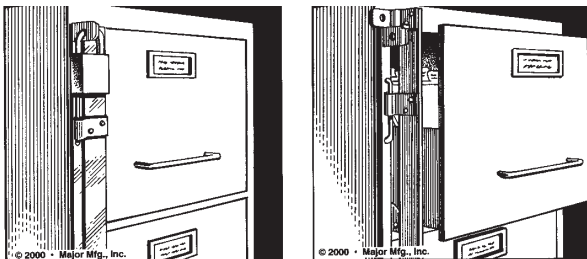


*Versatile.* Ideal for sliding patio doors, sliding windows, swinging doors, double doors, french doors, etc.

- Can be used on narrow stile doors and frames with a frame width of only 1 5/8"
- Lock housing will accept a standard 1 1/8" mortise cylinder (not included) enabling it to be keyed to other locks in a system
- Mounts at top or bottom of door or both
- Equipped with a 9" long locking bolt with a 2 3/8" throw as standard (Optional 40" bolt available F/O)
- Each lock is supplied with a #1 gear, locking rod, one way screws and instructions
- Special #2 gear is available for use with Medeco mortise cylinders

Part No.	Finish
MAJ 5002 1 9A	-----Aluminum Powdercoat
MAJ 5002 1 9D	-----Duranodic Powdercoat

**File Cabinet Bar**



File cabinet locking bar mounts on left hand side of cabinet for standard applications. A right hand model is also available for special applications. Will not block adjoining cabinets when in either locked or unlocked position. Red tape strip on inside of locking bar indicates unlocked position and protects painted finish on filing cabinet when locked. May also be used to lock sliding drawers on roll-away tool cabinets, or any cabinet with steel drawers. Individually boxed with fasteners, padlock not included.

Part No.	Description
MAJ FB1L	-----2 Drawer desk 18 3/4 LH
MAJ FB1R	-----2 Drawer desk 18 3/4 RH
MAJ FB2L	-----2 Drawer cabinet 23 1/2 LH
MAJ FB2R	-----2 Drawer cabinet 23 1/2 RH
MAJ FB3L	-----3 Drawer cabinet 33" LH
MAJ FB3R	-----3 Drawer cabinet 33" RH
MAJ FB4L	-----4 Drawer cabinet 49 1/2" LH
MAJ FB4R	-----4 Drawer cabinet 49 1/2" RH
MAJ FB5L	-----5 Drawer cabinet 55" LH
MAJ FB5R	-----5 Drawer cabinet 55" RH

**Jamb Jacket**

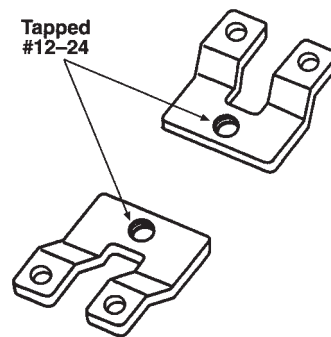


*"The Door Jamb Reinforcer"*

- Repairs and covers damaged and splitout door jambs without the expense of replacing the whole jamb
- Adds reinforcement to healthy undamaged jambs for additional security
- Non-handed. Can be used on right or left hand doors
- Designed to cover std. 1/2" rabbeted jamb
- Finished in Beige Powdercoat
- "Jamb Jacket" is recessed to accommodate T-strike. Available in 24", 36" and 72" length for 1 3/8" and 1 3/4" doors
- 72" length can be used to protect door jamb from cart or gurney damage
- "Econo Gard" is available in 16" lengths only and is not recessed to accommodate T-strike
- Packaged with mounting screws.

Part No.	Description
MAJ JLL 134 24	-----1 3/4 Door 24"
MAJ JLL 134 36	-----1 3/4 Door 36"
MAJ JLL 138 24	-----1 3/8 Door 24"
MAJ JLL 138 36	-----1 3/8 Door 36"

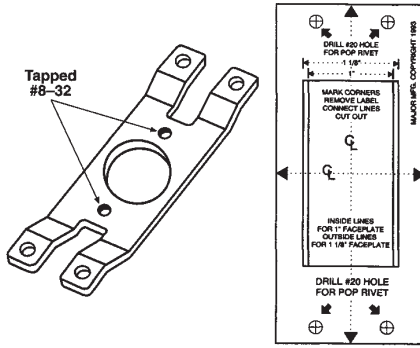
**Mortise Lock Bracket**



- Designed to be used on metal doors with or without a center seam
- Stamped from 12 gauge cold rolled steel
- Mounting holes are correctly tapped 12-24 to accommodate exiting mortise lock screws
- Compatible with Schlage, Corbin/Russwin, Yale, Adams-Rite and similar mortise locks
- Supplied with steel pop-rivets

Part No.
MAJ LMB 02

**Lock Mounting Brackets**



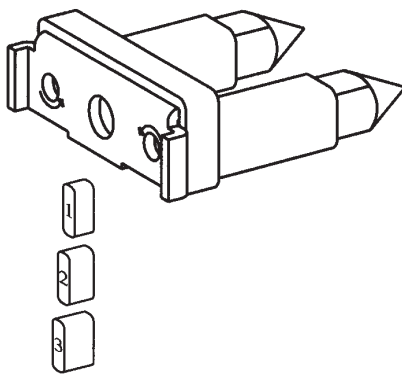
*Make installing cylindrical knob locks or deadbolts on metal doors faster & easier*

- Mounting bracket is stamped from 12 gauge cold rolled steel
- The bracket is cut out from the center to allow installations on metal doors with a center seam
- Template is marked for 1" and 1 1/8" faceplate cutouts
- Mounting holes and center lines locate the crossbore
- Supplied with template and steel pop-rivets

**Part No.**  
MAJ LMB 01

**Mounting Bracket**

*For Adams Rite Style Locks*

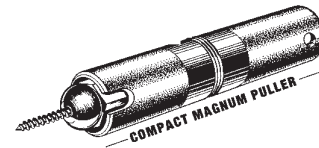


LMB-08 supplied with adapters to conform to flat, radius or bevel face doors. Built-in screw jacks eliminate slipping, twisting and screw stripping during installation.

- Screw jack uses 7/64" allen hex wrench for positive "no-slip" wrenching during installation
- Solid steel 3/16" square diameter screw jack posts
- Built-in #8-32 pre-threaded lock mounting nut prevents stripped mounting holes
- Two brackets with #8-32 mounting screws per pack
- For fast, easy no error installation, use LMB-089 Installation Tool
- Use only on narrow style aluminum doors

**Part No.**  
MAJ LMB 08

**Lock Nose Puller**



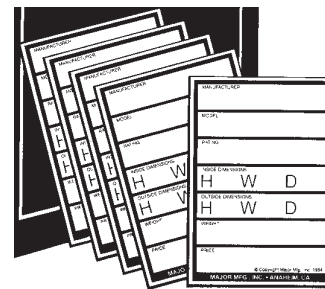
This safe deposit nose puller is both compact and powerful. The entire puller is machined from bar steel and roller bearings are used between the two mating surfaces to reduce the effort required when in use. The knurling provides for a better grip.

In use, a sheet metal screw is driven into the center of the safe deposit locks keyway, tightening the puller will then pull the core out. The use of the guard key and wire or similar tool will retract the bolt.

- Can also pull cylinders from padlocks, automotive locks and other types of cylinders and plugs
- 5" long when closed; 1 1/8" diameter
- Packed in a nylon pouch for storage

**Part No.**  
MAJ CMP 101

**Safe Info Charts**

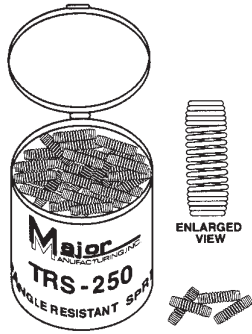


Magnetic backed, re-useable, allows quick, easy information to be displayed for customer's benefit.

- Chart designates spaces for safe manufacturer, model, rating, inside & outside dimension, weight and price
- Non-marring, non-scratching rubberized magnetic backing
- Chart copy is printed in red ink on white vinyl coating
- Display surface is receptive of most ball point pens
- Writing can be removed with window cleaner and a dry cloth
- Charts are reusable
- Sold in packs of five 4 x 5 3/4" charts

**Part No.**  
MAJ SIC 5

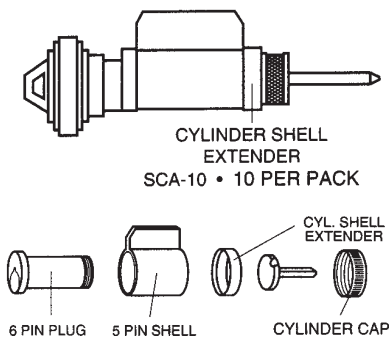
## Tangle Resistant Cylinder Springs



- Resist tangling, common with standard springs
- More closely wound and contain more coils than other springs
- Provide greater compression on pin stacks
- Cut pinning time and loss or destruction
- 250 per pack

**Part No.**  
MAJ TRS 250

## Cylinder Shell Extender

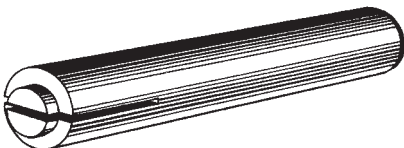


Use where a 5 pin cylinder and lock system exists and only a 6 pin plug is available.

- For Schlage locks
- Sold 10 per pack

**Part No.**  
MAJ SCA 10

## MKP-1 Master Lock Keying Tool



Keying tool for Master Lock "UP" series uncoded locks. Padlocks can be quickly keyed.

**Part No.**  
MAJ MKP 1

## Cylinder Cap Removal Tool



Quickly service Schlage locks with this tool. Side "A" will easily remove the threaded cap from Schlage cylinders including the "B" series with the longer cam driver. The "B" side is used to depress the cylinder cap pin and turn the tailpiece on Schlage "A" series locks so the knob retainer can be depressed, and the knob removed. This method is used when a key is not available to remove the knob. The SCT-1 will make a frustrating job easier and fast.

**Part No.**  
MAJ SCT 1

## Plug Follower

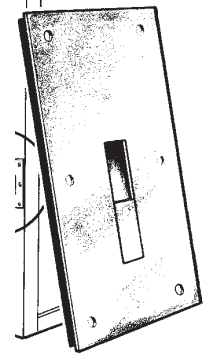


A combination tool that combines a plug follower with a master wafer removing feature and a pin depressor.

- The follower can be used on most cylinders with standard diameter plugs
- Use on Schlage cylinders or any cylinder using a cylinder cap retained with a spring loaded pin
- The pin depressor may be removed allowing the use of both ends of the follower when loading cylinder springs
- Special grooves in the follower will also allow it to be used on Sargent 8 Line cylinders and Almont Padlocks

**Part No.**  
MAJ SCT 3

## Strike Gard

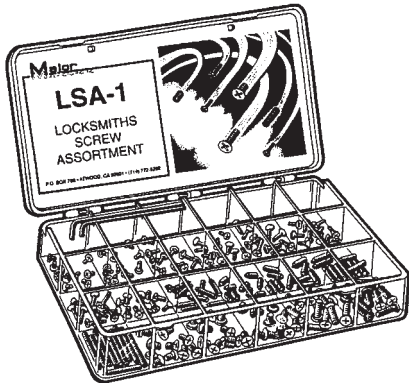


Used to repair an aluminum door jamb that has been damaged due to a break-in, or to reinforce a jamb as extra protection against forced entry. Thin flat design will allow strike to be installed on door frame and not rub the door.

- Packed with CGA or CGD Cylinder Gard at no extra charge to make an aluminum door security package
- Works with W&F and Reflectolite type locks or punch out the "knock-out" and use with Adams Rite type swing bolt locks
- Fits 4" or 4 1/2" wide jambs
- Easy to install by drilling six #20 holes in the door frame
- Made of 14 gauge cold rolled steel, approximately 5/64" thick

<b>Part No.</b>	<b>Description</b>
MAJ SGA1 -----	Aluminum Powdercoat
MAJ SGD1 -----	Duranodic Powdercoat

**Locksmiths Screw Assortment**



An assortment containing 18 of the most commonly used and misplaced screws that are required when servicing locks.

- Kit contains mortise cylinder cam screws, cylinder set screws, face plate screws and others that can be missing or lost when on the job
- Also included are the allen wrenches needed for the allen screws used in the kit
- Refills are available in packs of 10

*Kit contents:*

Qty	Part No.	Description
10	LS-1	Phillips Flat Head For Medeco Cyl
10	LS-2	Phillips Flat Head For Medeco Cyl
10	LS-3	Pan Head For Medeco Cyl
10	LS-4	Phillips Flat Head For ASSA Mortise Cyl
10	LS-5	Phillips Flat Head For ASSA Rim Cyl
10	LS-6	Phillips Flat Head For Std Mortise Cyl
10	LS-7	Phillips Flat Head For Std Mortise Cyl (X-Long)
10	LS-8	Phillips Flat Head For Sch Primus Mortise Cyl
10	LS-9	Set Screw For Medeco Brass Padlock
10	LS-10	Set Screw For Adams Rite Lock (Special Length)
10	LS-11	Set Screw For Adams Rite Lock (Special Length)
10	LS-12	Set Screw For Mortise Lock Replacement
10	LS-13	Set Screw For Mortise Lock Replacement
10	LS-14	Face Plate Screw Zinc Color
10	LS-15	Face Plate Screw Brass Color
10	LS-16	Face Plate Screw Black Color
10	LS-17	Face Plate Screw Zinc Color (X-Long)
10	LS-18	Face Plate Screw Black Color (X-Long)
1	LS-19	Long Arm Allen Wrench For Medeco Padlock
1	LS-20	Allen Wrench For 8-32 Set Screw

**Part No.**  
MAJ LSA-1

**Cylinder Accessory Kit**



The CAK15 is a new cylinder accessory kit that contains an assortment of popular hardened cylinder guards, plus cylinder collars molded from an "Engineered Plastic". Unlike steel or aluminum that can chip, scratch or bend, collars from engineered plastic will not lose their finish or shape. A handy assortment for mobile use.

- Resist damage due to the ozone and by ultra violet rays
- The kit is packed in a handy plastic box for storage and part numbers are identified for reordering
- Cylinder collar refills are available in packs of 6

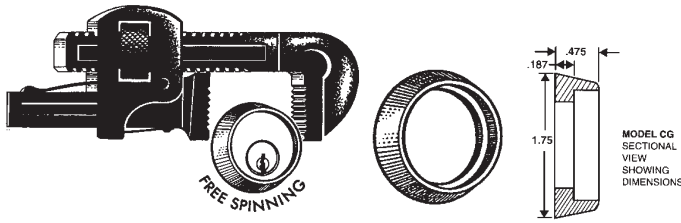
*Kit contents:*

Qty.	Part No.	Description
6	CCA-332	3/32" Collar Aluminum Color
6	CCA-532	5/32" Collar Aluminum Color
6	CCA-732	7/32" Collar Aluminum Color
6	CCA-932	9/32" Collar Aluminum Color
6	CCB-332	3/32" Collar Brass Color
6	CCB-532	5/32" Collar Brass Color
6	CCB-732	7/32" Collar Brass Color
6	CCB-932	9/32" Collar Brass Color
6	CCD-332	3/32" Collar Duranodic Color
6	CCD-532	5/32" Collar Duranodic Color
6	CCD-732	7/32" Collar Duranodic Color
6	CCD-932	9/32" Collar Duranodic Color
2	CGA	Cylinder Guard Aluminum Color
2	CGD	Cylinder Gard Duranodic Color
1	CG3	Cylinder Guard Polished Brass
10	WW-10	Wave Washer

**Part No.**  
MAJ CAK 15

**MODULAR INSTALLATION FOR DOOR HARDWARE**

**Cylinder Gard**



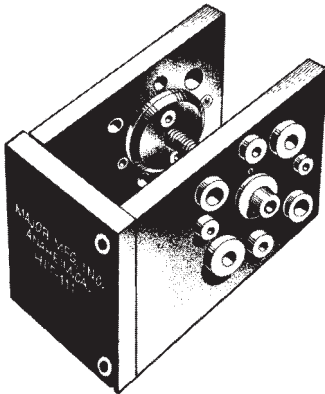
*Stops a wrench from gripping and crushing!*

- Forms a cone of hardened steel protection for rim and mortise cylinders
- Free-spinning, tapered cone shape
- Resistant to channel locks, vise grips, pipe wrenches, etc.
- Tough, hardened steel for durability
- Wave washer supplied to eliminate sloppiness of installation
- Available in aluminum or duranodic powdercoat finish
- Five per pack

*Large size for longer 6 and 7 pin and interchangeable core type mortise and rim cylinders is available F/O.*

Part No.	Description
MAJ CGA 5	Aluminum Powdercoat, 5 Pk
MAJ CGD 5	Duranodic Powdercoat, 5 Pk

**Multi-Purpose Jig**



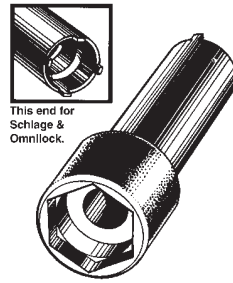
*A redesign of the popular HIT-1 and HIT-11 drill*

A multi-purpose, versatile jig used to retrofit wooden and metal doors to accept cylindrical lever locks produced by Schlage, Assa, Arrow, Corbin Russwin and more.

- Fits 1 3/8" to 2" doors with standard 2 3/4" backset or 3 3/4" and 5" backset doors with the HIT-BAK

Part No.
MAJ HIT 111

**Multi-Purpose Nut Driver**



- A multi-purpose nut driver for use on Schlage Rhodes, Schlage Rhodes Interchangeable Core, Assa Brooklyn, Arrow Sierra, Sargent LN, Falcon and Omnlock locks
- Provides for better grip and control when tightening the spindle locking nut than does the plastic tool provided by the manufacturer, greatly decreasing installation time

Part No.
MAJ HIT 2

**Installation Tool**

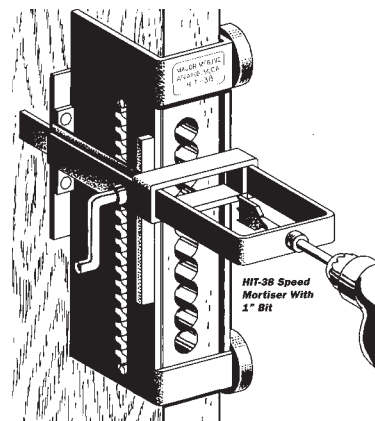


*For new installation or to redrill misaligned cylinder holes*

Until now, installing a mortise cylinder in the proper location was a hit or miss proposition. With the HIT-22, it will always be in the right spot. Simply mark where the cylinder should go on the door and drill a 1/2" hole. Place the HIT-22 in the lock like a mortise cylinder, tighten the mounting screw and install the lock in the door. You will see the guide through the 1/2" hole in the door. Using a 1 1/4" hole saw, insert the hole saw pilot in the guide and drill the cylinder hole. You have a perfect installation every time. The HIT-22 includes two drill guides, hole saw pilot and extractor handle.

Part No.
MAJ HIT 22

**HIT-38 Speed Mortiser**

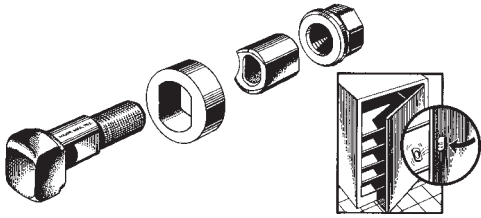


Simplifies mortise lock installations. The basic HI-38 will prepare the required mortise cavity using a series of drilled plunge cuts followed by several up and down cleanup passes with the drill bit. HIT-38 is designed to center on 1 3/8" and 1 3/4" doors. HIT-38 is shipped in a plastic carrying case with a 1" bit standard. Drill bits for 7/8" 3/4" are also available. HIT-38 requires a 1/4" or larger electric drill.

Part No.
MAJ HIT 38MB1

**MODULAR INSTALLATION FOR DOOR HARDWARE**

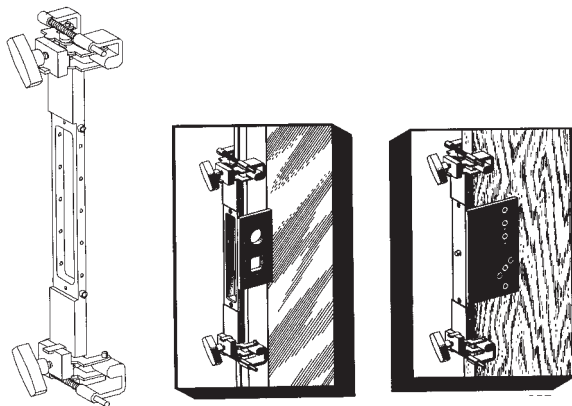
**MDPS-4 Punch & Die Set**



Punch and die set punches a DOUBLE "D" hole in sheet metal cabinet drawers and doors. A must have tool for the locksmith working on vending machines, lockers, metal cabinets or any type of sheet metal door made with 18 gauge (.048) or lighter steel.

**Part No.**  
MAJ MDPS 4

**Modular Clamp**



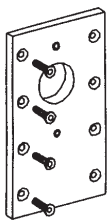
*Use on both aluminum and wood doors.*

Using a revolutionary new design, the HIT-45 Clamp will work on aluminum, wooden or hollow metal doors.

- Grip range from 1 1/4" to over 2 1/4" without the use of special adapters or plates
- Self centering clamp design
- The use of two internal locating studs assures that backset is calculated from door center, regardless of flat, beveled or radius doors
- Works with any router or drill template shown, with many more accessories developed for this unique modular design

**Part No.:** MAJ HIT-45

**HIT-45 Aluminum Door Templates**



Route cylinder and handle or paddle holes for Adams Rite locks and latches with a 31/32" or 1 1/8" backset. Will also locate mounting holes for handles and paddles with hardened drill bushings. Requires HIT-45 and router equipped with 3/8" outside diameter guide.

**Part No.:** MAJ HIT-45AR4

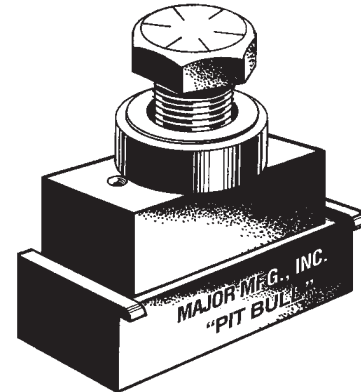


1/4" down shear router bit used to route openings in aluminum doors and frames.

**Part No.:** MAJ HIT-45 RB4

**"Pit Bull" Metal Door Latch Mortiser**

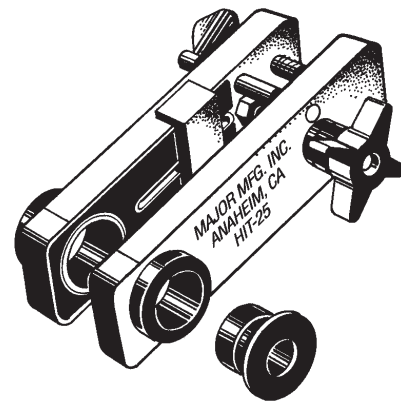
*Latch Forming Tool for Lock Installations in Steel Doors*



The Pit Bull tool is used to form a rectangular pocket in the edge of a hollow metal door. Application of the tool is almost effortless. Simply drill the latch and cross bore holes and install the Pit Bull. Using a few turns with a wrench will squeeze an indentation into the door's edge. The result is a pocket that will accept both 1" and 1 1/8" wide by 2 1/4" tall latches

**Part No.**  
MAJ MDLT-1

**HIT-25 Cabinet Lock Drill Guide**



The HIT-25 drill guide has rubber lined jaws to protect cabinet doors. Supplied with four sizes of drill bushings. 1 1/4" installed in drill guide. 1 1/8", 7/8" and 3/4" can be installed and held in with set screw. These bushings are designed to be used with clean cutting Forshner-type drill bits and are not compatible with hole saws, paddle or spade bits. Will work on doors up to 1 1/2" thick and can locate the cylinder hole up to 2 5/8" from the edge of the door.

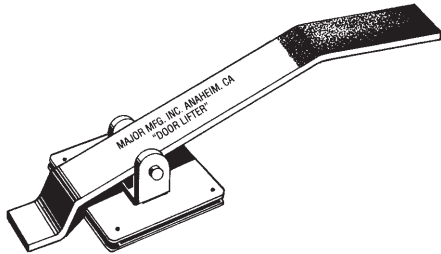
**Part No.**  
MAJ HIT-25

**DOOR HANDING TOOLS****DT-100 Door Tote**

Save time, money and accidents by moving doors with the use of the Door Tote. This tote will accommodate doors up to 1<sup>3</sup>/<sub>4</sub>" and may also be used as a horizontal door stand. Equipped with pneumatic wheels for easy mobility, carpet lined to protect door. The handle disassembles into three pieces for storage and transportation.

**Part No.**

MAJ DT-100

**DL-150 Door Lifter with Textured Pedal**

Removing a door from its frame has never been easier when using the Door Lifter. In just a few easy steps, the door is lifted and swiveled out of the way on a ball-bearing base. The Door Lifter has a textured foot pedal to prevent slipping and a cushioned base to protect the floor surface.

**Part No.**

MAJ DL-150