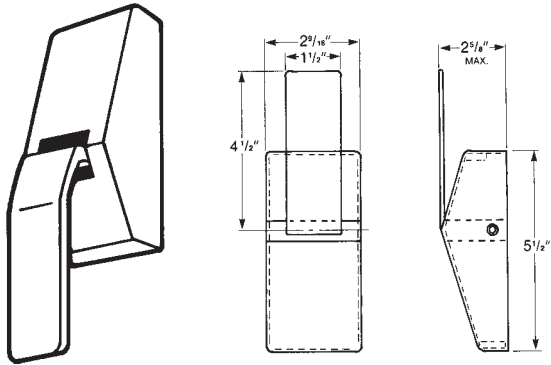


LATCHES

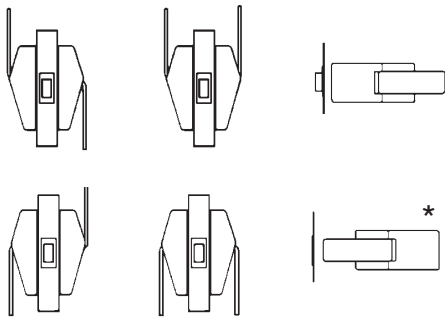
Push/Pull Latch



The HL6 Push/Pull latch offers versatility and durability for commercial and institutional settings. These models are designed for doors up to 1 3/4" including fire doors. For doors over 1 3/4" please specify door thickness.

The sleek design has a short throw angle, allowing the door to be opened with an easy push or pull action, even when hands are not free. Not handed, no fusible link to fail, UL listed for all labeled metal or wood doors. Stock with 2 3/4" and 5" backset, but also available with 3 3/4" and 7". Stocked with 2 3/4" strike, but available with 4 7/8" ASA strike.

Six mounting positions suits a wide range of applications:



*7" Backset Required

Options:

- Brass base metal for US26 and US26D finishes
- Engraved handles "PUSH and "PULL"
- Entrance only latch
- Exit only latch
- Lead lined
- Roller latch conversion kit
- Pin in socket security screws

Also available with mortise lock functions on Factory Order

Part No.	Backset
GLJ HL6 US10B 2	2 3/4"
GLJ HL6 US26D 2	2 3/4"
GLJ HL6 US26D 5	5"

Latch only for HL6

Part No.	Finish	Backset
GLJ HLPART10065	26D	2 3/4"
GLH HLPART1007	26D	5"

OVERHEAD HOLDERS

Series 90 • Surface Overhead Door Holder & Stop

Available on Factory Order



Features

- Hold open, stop only, friction functions
- Brass/bronze, steel and stainless steel substrates
- Improved compatibility with door closers
- Exceeds all criteria for BHMA Grade 1 holders/stops
- Improved jamb bracket design
- Single acting doors
- Interior/exterior applications
- Reversible, non-handed

90 Series holders and stops provide the most rugged surface mounted heavy duty door control. Incorporates a heavy duty channel and slide arm design and offset jamb brackets for improved compatibility with door closers.

Unique design allows for simple field changing of functions to compensate for changes in user requirements.

90H Series hold-open units feature a selective hold-open mechanism which is easily controlled by a serrated knob on the underside of the channel. Flipped one way the control knob engages the hold-open mechanism, allowing the door to be held open at a predetermined position from 85° to 110°. Flipped the opposite way, the unit acts as a stop and shock absorber. The tension on the hold-open mechanism is adjustable to satisfy individual requirements due to air currents or exterior conditions.

All 90 series models are designed for heavy duty applications and will provide long lasting protection for doors, frames and hardware.

Sizing Chart

Butts/Offset Pivots

Size	Door Opening	Hold Open
4	33 1/16" — 39"	GLJ 904H
5	39 1/16" — 45"	GLJ 905H
6	45 1/16" — 54"	GLJ 906H

Center Hung

Size	Door Opening	Hold Open
4	39 1/16" — 45"	GLJ 904H
5	45 1/16" — 51"	GLJ 905H
6	51 1/16" — 59"	GLJ 906H

Screw Details

Jamb: 4 — #14 × 1 1/2" flat head wood screws

4 — 1/4" — 20 × 3/4" flat head machine screws

Door: 2 — 5/16" — 18 × 1 1/2" pan head machine screws

2 — 5/16" — 18 × 1 9/16" sex bolts

Series 280 "Sensaguard"™ • Holder/Release Smoke Detector



GLJ 280 AL / GLJ 280 313AN

Features

- Fail safe operation releases the hold open when battery is below 7.2 volts or if battery cover is removed
- Battery operated
- Self-contained
- Adjustable hold open
- Easy installation
- Test switch allows testing for proper operation of the release mechanism
- Reset switch is used to reset the unit after testing or smoke detection
- Smoke chamber is an ionization chamber that when smoke or particles of combustion are detected will release the door.

LED indicator monitors the battery condition and signals status every 40 seconds

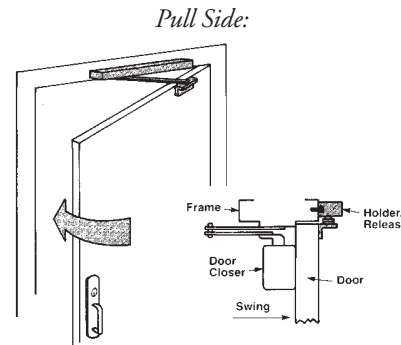
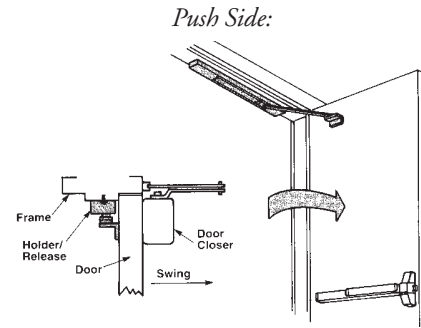
- Manual release will allow the door to close when pulled to the closed position. The unit will reset when the door is returned to hold open position

SENSAGUARD Series 280 Holder/ Release Smoke Detector is designed to allow a fire door to remain open for easy passage, but will release the door to remain closed in an emergency. The unit features an internal ionization type smoke detector and is powered by a single nine volt battery. Operation is fail safe, and releasing is automatic when the battery power drops below 7.2 volts.

Series 280 is ideal for use on corridors in office buildings, factories, schools, hospital or nursing home patient rooms, multifamily residential units, or more.

SENSAGUARD will hold the door open at a single point. The hold open position is adjustable from 90° to 130° when mounted on the pull side and 90° to 180° when mounted on the push side.

NFPA 101, LIFE SAFETY CODE, 5-2.1.8 SELF-CLOSING DEVICES, EXCEPTION C.2.
PATENT NO 5,044,680 5,072,973 5,140,173



Easy to Install

The unit surface mounts to the top of the door frame and the arm attaches to the door. The unit is battery operated, self-contained and requires no external wiring.