

EXIT ALARMS



All Battery Operated Detex Exit Alarms are supplied with magnetic switches, screws and warning signs. All units shipped less control cylinder. Rim Cylinder available at additional cost. All AC Powered Alarms require magnetic switches and 12 VAC Transformer.

- Part No.**  
 DTX EA-500  
 DTX EA-2500S  
 DTX EA-2500F

**Note:** Cylinder not included.

Enclosed in high-impact polymer housings, Detex Exit Alarms announce the unauthorized use of a door with a 95 decibel directional alarm. When linked to a Detex remote indicating panel or gang zone annunciator, the alarm also alerts a central security station. A special key allows authorized personnel to use the door freely, and an adjustable time delay gives ample time for exit. With the EA2500 it also functions as a "door propped open" alarm. Battery-powered models adapt to narrow stile doors and frames and install easily with ordinary tools. Both models are suitable for retrofit or new construction and come in surface mount and flush mount designs.

- DTX EA-500 (Surface Mount)  
 DTX EA-500F (Flush Mount F/O):

**Primary Use:** Emergency exit door alarms monitoring in factories, warehouses, airports, hotels.

**Characteristics:** High-impact polymer housing; 7.7" high x 2.1" wide x 2.375" deep. Power supplied by a single 9V battery.

**Used With:** DTX ECL-445K Rim Cylinder, DTX EA-523 for outside key control.

- DTX EA-2500S (Surface Mount)  
 DTX EA-2500F (Flush Mount):

**Primary Use:** Emergency exit door alarms monitoring; fast food, retail outlets, factories, airports, colleges & universities, hotel doors equipped with exit devices.

**Characteristics:** Surface mount unit — high-impact polymer housing; 4.6" high x 4.65" wide x 3" deep. Flush mount unit — faceplate is brushed aluminum; 4.6" high x 4.65" wide x 3.11" deep. Power is supplied by DTX PP-5152-3, 12VAC@25VA, transformer (must be ordered separately).

**Used with:** DTX ECL-445K Rim Cylinder, DTX MS-2049 Magnetic Switch, DTX CS-915A Control Switch for outside alarm control.

Battery Eliminators



The Battery Eliminator increases unit and door security when used as battery substitute for exit control locks such as the DTX ECL-230D. The BE 961-2 features internal monitoring circuits that sound an alarm in the event of tampering. Provides both 6VDC and 9VDC outputs; a 12VAC 25VA transformer is included.

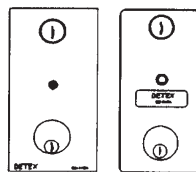
**Primary Use:** Eliminates the need for batteries in exit control locks or exit alarms.

**Characteristics:** Die cast aluminum housing with silver finish; 4 5/8" wide x 4 5/8" high x 2" deep; 9.6" flexible armored cable (supplied). Powered by PP-5152-3 12VAC@25VA transformer, outputs are 9VDC or 6VDC alarmed and tamper protected for output line cut.

**Used with:** ECL-230D & ECL-8000 Series battery-powered Exit Control Locks or EA-500 Exit Alarm.

- Part No.**  
 DTX BE 961-1  
 DTX BE 961-2

Cylinder Switches



Detex cylinder switches and alarms are designed to provide added utility to the Detex System. The CS-915A is key-operated to control alarms, electric locks, door strikes, or other devices.

- Part No's.**  
 DTX CS-915AF Flush  
 DTX CS-915AS Surface

Warning Sign



- Part No.**  
 DTX EA-561

Magnetic Door Switches

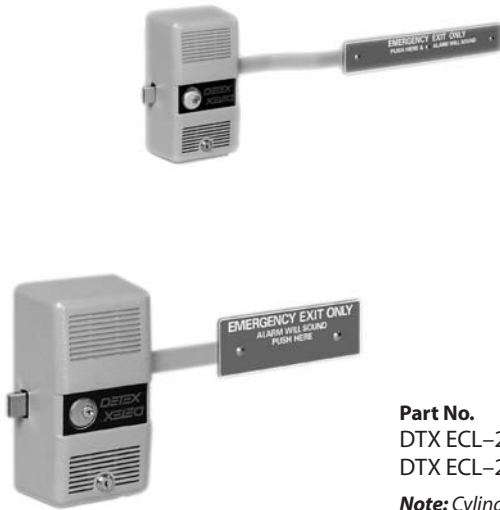


Sensing devices which detect the opening of doors. Can be used as direct switches to actuate many kinds of visual or audio alarms, including our exit

alarms, or connect them to a remote indicating panel to alert a central guard station. The switches can be surface or mortise mounted overhead or at the latch side of the door, and can be used with most steel, aluminum, or wood doors and frames. Flush mount model fits into standard ANSI cutout. Flush mount model measures 4 7/8" long x 1 1/4" wide x 3/4" deep; Surface mount model measures 5 3/16" long x 1 17/32" wide x 15/32" deep. Used with systems employing up to 24V; 12" color coded wire leads.

- Part No.**  
 DTX MS-2049F Flush  
 DTX MS-2049S Surface

**EXIT CONTROL LOCKS**



**Part No.**  
 DTX ECL-230D  
 DTX ECL-230D-PH F/O  
**Note:** Cylinder not included.

This is the latest improvement of our basic unit that has set the industry standard for more than a quarter century. The ECL-230D features two layers of protection: an attack-resistant housing of non-corrosive cast aluminum and a corrosion-resistant, non-ferrous alloy lock body.

We designed the unit for easy installation and service on either side of a door. The template provided serves as a template for both mounting and setting the distance for the bolt and keeper or strike. When service is required, the one-piece housing swings away from the door assembly for easy access.

For out-swinging double doors and on single doors when three-point latching is desired, exit control is provided by the DTX VRA143 Series unit.

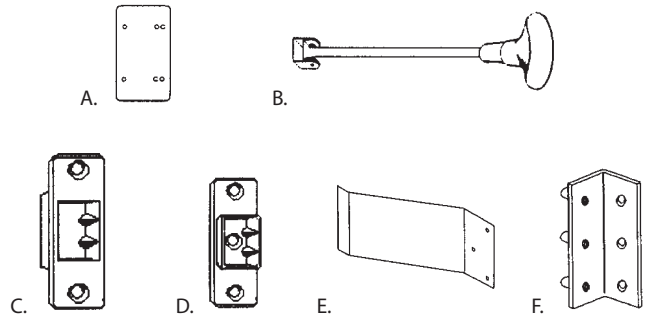
With a longer bar and paddle, the ECL-230D-PH can accommodate doors 36" to 48" wide.

**Primary Use:** Emergency exit doors for factories, schools, hospitals, restaurants, warehouses, public buildings.

**Characteristics:** Die-cast aluminum housing with baked cortex finish. Dimensions: lock case — 10<sup>3</sup>/<sub>8</sub>" high × 5<sup>3</sup>/<sub>4</sub>" wide × 3<sup>3</sup>/<sub>4</sub>" deep; push plate and bar — 3<sup>1</sup>/<sub>8</sub>" high × 12<sup>7</sup>/<sub>8</sub>" wide. Powered by 9VDC battery, convertible to AC with Battery Eliminators DTX BE 961-1 or DTX BE 961-2.

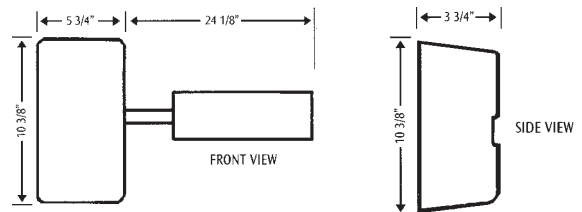
**Used with:** DTX ECL-445K Rim Cylinder, DTX BE 961-1 or BE 961-2 Battery Eliminator, DTX VRA-143 Vertical Rod Assembly, DTX ECL-436K Bar Guard Kit (ECL-230D) or ECL-2100 Bar Guard Kit (ECL-230D-PH).

**Accessories**



Part No.	Description
DTX ECL-475K	Decorative Back Plate Kit (A)
DTX ECL-498K	Outside Pull and Warning Sign (B)
DTX ECL-439K	Mortise Strike Plate Kit (C)
DTX ECL-437K	Adjustable Surface (standard) (D)
DTX ECL-436K	Bar Guard Kit covers the "open" end of the exit paddle to prevent clothing from being caught (E)
DTX ECL-435K	Adjustable Surface Keeper for Double Door Applications (F)

**Bratch Fire Exit Hardware**



Locksmiths and specifiers of security devices have been selecting the Detex ECL-230 series of exit control locks for over 30 years. And for good reason. It's strong, rugged, dependable and easy to install. So how could we make it better? Simple. We made it fire-rated.

The new ECL-600 is engineered to meet today's most stringent building and safety codes as a listed fire exit hardware device. This design includes a latchbolt with a 1<sup>3</sup>/<sub>16</sub>" throw for secure, automatic relatching in addition to the time-tested deadbolt currently used in the ECL-230. Even with the addition of these excellent features, the ECL-600 remains easy to install and is far less expensive than other listed fire exit hardware devices.

**Bratch Fire Exit Hardware Cont.**

*Features*

- Rugged, attack-resistant housing with corrosion-resistant alloy lock body — mountable on either left or right side of the door.
- Proven ECL-230D durability built into a saw resistant 1" deadbolt in addition to a fire-rated, 1<sup>3</sup>/<sub>16</sub>" throw, stainless steel deadlocking latchbolt. The deadlocking latchbolt firmly engages a second strike every time the door is closed.
- High-decibel, 100dB, piezo that commands attention even in high noise environments

*Optional Accessories*

- Remote signal capability with Remote Lead Kit or Electric Keeper/Switch
- Exit bar captions available in Italian, Chinese, Spanish, French Canadian, French, Dutch, or German
- The Detex ECL-600 can be converted to AC operation with the optional BE-961 Battery Eliminator
- Installs on 32" to 48" wide doors
- Extended bar for 3'0" to 4'0" doors

*Physical Specifications*

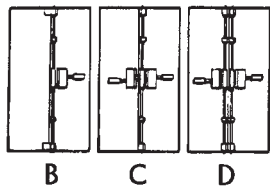
- Die-cast aluminum alloy housing with Detex Grey Vein 3 finish
- Lock case measures 10<sup>3</sup>/<sub>8</sub>" high x 5<sup>3</sup>/<sub>4</sub>" wide x 3<sup>3</sup>/<sub>4</sub>" deep
- Push plate and bar measure 2<sup>1</sup>/<sub>2</sub>" high x 24<sup>1</sup>/<sub>8</sub>" wide
- Same template pattern as the ECL-230D

*Power Specifications*

- 9V battery standard
- RIP Signal: Dry Contact

**Part No.:** DTX ECL-600

**Vertical Rod Assembly**



Part No.	Description
DTX VRA-143(B-C) F/O	84" Std. Inside Locking Only (B,D) (For outside locking order Type "C")

Primary Use: Double-door emergency exit security control.

Characteristics: Cover-control assembly is cold roll steel, silver gray cortex; top and bottom rods (for doors 80"-96") are 3/8" diameter cold roll steel, bright zinc painted with chromate dip; rod guides are clear anodized aluminum.

Used with: DTX ECL-230D or DTX ECL-230D-PH

**EXIT CONTROL LOCKS**

**Value series™**



**Part No's.**

- DTX V40xEB (9-volt DC)
- DTX V40xEH (12-volt AC) F/O

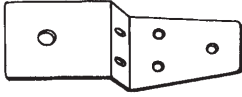
**Note:** Cylinder not included.

Battery powered and priced to be the best value for durable and attractive loss prevention hardware. Provides reliable loss prevention protection 24-hours a day. Rugged and durable design reduces maintenance and is aesthetically pleasing for almost any door in any décor. Fast, easy, trouble-free installation. Rugged, durable design with stainless steel self-latching bolt. Tamper-resistant housing protects electronics, battery and internal hardware and prevents manipulation. Bright signage deters theft and reduces false alarms. Accommodates 5, 6, and 7 pin standard and interchangeable core cylinders with a standard Yale cam.

State of the art electronics for reliable security and instantaneous alarm. Tamper-resistant security switching electronically monitors latch bolt. 100+ decibel alarm. Visual and audible arming indicators. Low-battery alert with red flashing LED alert when not armed.

Primary Use: Controls foot traffic, deters unauthorized exits, prevents loss and meets building code requirements for panic & exit hardware. Reduces employee and customer theft by deterring unauthorized exits through emergency exit doors. Integrates with other loss prevention equipment.

Characteristics: Exterior of anodized aluminum and damage and corrosion resistant ABS plastic for years of heavy use. Stainless-steel, dead-latching bolt with a 3/4" throw; dimensions: two sizes: 36"-fits 34" to 36" doors; 48" fits 40" to 48."

**RELATCHING LOCKS ACCESSORIES****Double Door Strike Plate**

<b>Part No.</b>	<b>Description</b>
DTX ECL-2425K -----	Double Door Strike Plate

**Double Door Holder**

Double Door Holder is designed for use with a Detex Exit Control Lock to provide locking of the inactive leaf on an outswinging double door. Release of the active leaf disengages the DDH-2250 allowing the inactive leaf to open freely.

<b>Part No.</b>	<b>Description</b>
DTX DDH-2250 -----	Double Door Holder