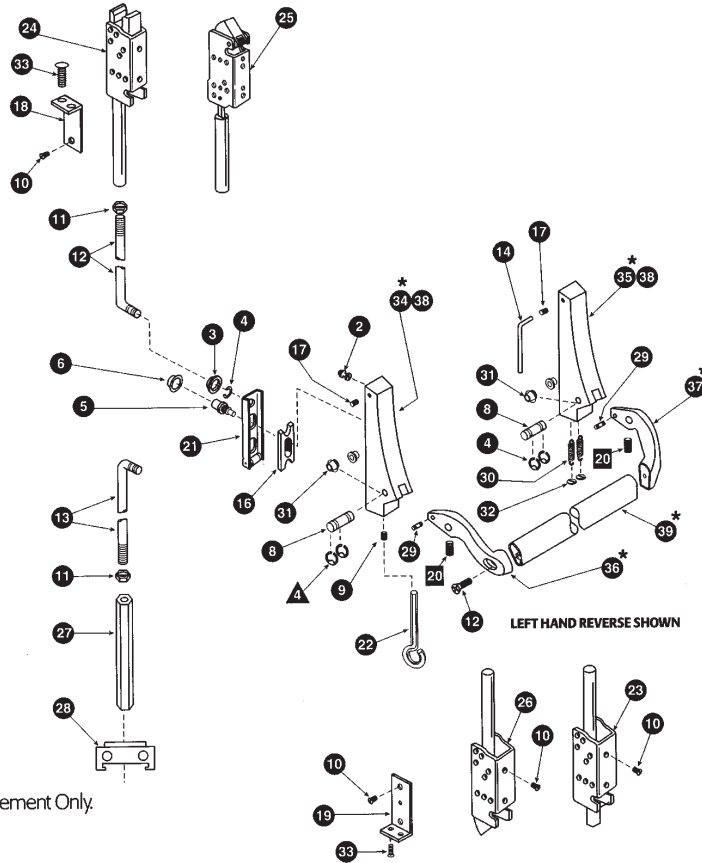


990/1990 SERIES

Exploded View and Parts List

(For Units Furnished After 5/1/77.)



- 1090 Series Factory Assembled Unit Replacement Only.
- ▲ 2090 Series only.
- ▣ 1090 Series only.

Model No.	Description	Part No.	Finish	Model No.	Description	Part No.	Finish
2	PB2 Case Mounting Stud	STUD.101	-	21	PB88 Lift Brkt Assy	4270100013	-
3	PB3 Bearing Bushing	BUSH.101	-	22	PB99 Hex Dogging Key	KEY.101	-
4	PB4 Retaining Ring .250	RRING.101	-	23	● PB129 RL Bottom Latch	4270100521	-
5	PB5 Pinion Cam	CAM.102	-	24	● PB130 SU Top Latch	4270101806	-
6	PB10 Cylinder Bushing	BUSH.102	-	25	● PB131 ES Top Latch	4270100346	-
7	PB12 1/4-20 1" FPHTC TYP23	SCREW.1027	US32D	26	● PB132 PL Bottom Latch	4270101482	-
	PB12 1/4-20 1" FPHTC TYP23	SCREW.1015	Black	27	PB133 Hex Bottom Bolt	4270101830	-
8	PB13 990 Axle Pin	PIN.106	US32D	28	PB134 Hex Rod Guide Assy	4270107176	US32D
	PB13 990 Axle Pin	PIN.114	BRS		PB134 Hex Rod Guide Assy	4270107178	P35
	PB15 1990 Axle Pin	PIN.115	-	29	RD10 Spring Pin	PIN.104	-
9	PB14 Dog Screw	SCREW.1022	-	30	SD9 Tension Spring	SPRING.103	-
10	PB17 10-32 1/4" UFPHMS	SCREW.1028	US32D	▲ RD9 Old Style Tension Spring	SPRING.102	-	
	PB17 10-32 1/4" UFPHMS	SCREW.1029	Black	31	SD43 Axle Bushing	BUSH.103	-
11	PB23 Rod Jam Nut	NUT.101	-	32	SD45 Spring Retainer	RETAIN.102	-
12	■ PB24 SU/PL/ES/RL Rod	4270100017	-	33	SR33 10-32 3/8" FPHMS	SCREW.1037	-
13	PB25 Hex Bottom Rod	4270101825	-	● RA1 SU Top Rod Assy 7" DR	4270106632	-	
14	PB30 Allen Wrench	WRENCH.101	-	● RA2 SU Top Rod Assy 8" DR	4270106633	-	
16	PB35 Rod Retractor	RETRACT.101	-	● RA3 SU Top Rod Assy 9" DR	4270101818	-	
17	PB38 1/4-20 3/8" Hex Soc Set	SCREW.1030	US32D	● RA4 SU Top Rod Assy 10" DR	4270101819	-	
	PB38 1/4-20 3/8" Hex Soc Set	SCREW.1039	Black	● RA5 ES Top Rod Assy 7" DR	4270101873	-	
18	PB54 Top Latch Hsg Brkt	4270100255	-	● RA6 RL Btm Rod Assy	4270100522	-	
19	PB55 Btm Latch Hsg Brkt	4270100256	-	● RA7 Hex Btm Rod Assy	4270101831	-	
20	PB80 10-24 1/4" Hex Soc Set	4270100155	-	● RA8 PL Btm Rod Assy	4270100266	-	

■ Standard SU Top Rod or Standard PL, ES or RL Bottom Rod.

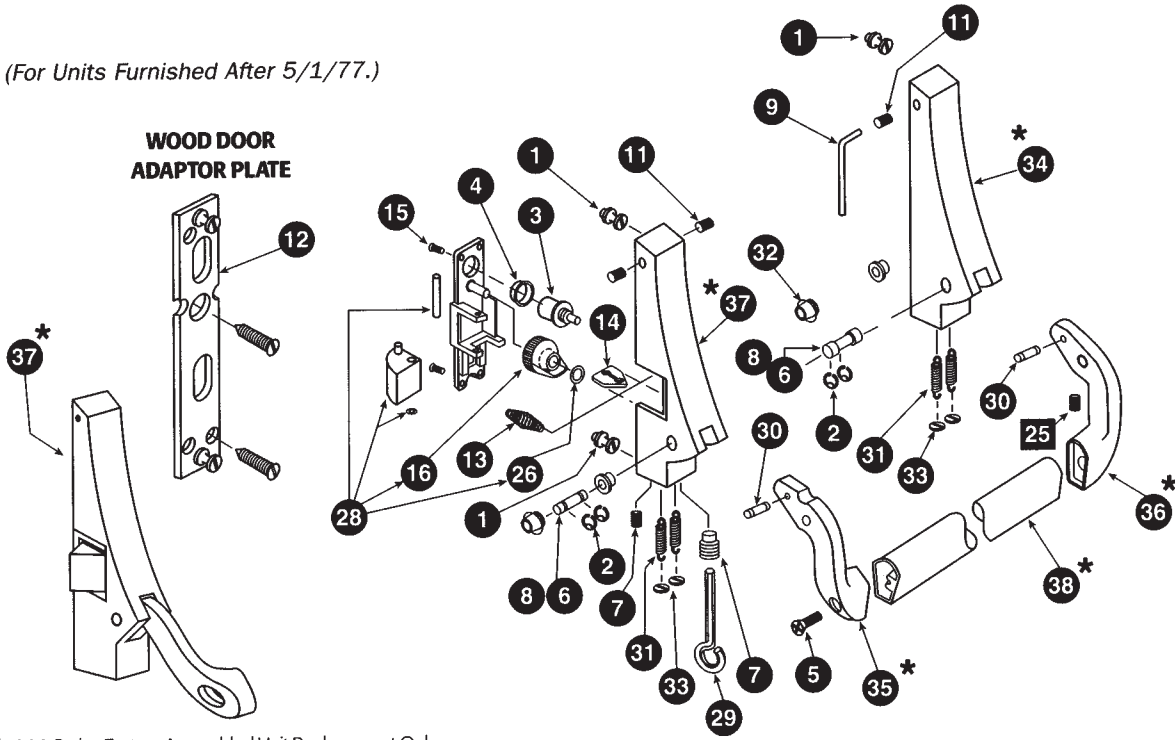
● Specify if door material other than aluminum. Complete rod and latch assembly includes PB24 standard rod and PB23 nut. Part numbers shown are for standard centerlines and assembled lengths.

▲ Not shown in parts diagram. For devices shipped before May 1977.

1090/2090 SERIES

Exploded View and Parts List

(For Units Furnished After 5/1/77.)



■ 1090 Series Factory Assembled Unit Replacement Only.

▲ 2090 Series only.

■ 1090 Series only.

\* See parts list at end of section

LEFT HAND REVERSE SHOWN

Model No.	Description	Part No.	Finish
1	PB2 Case Mounting Stud	STUD.101	—
2	PB53 Retaining Ring .250	RRING.103	—
3	PB5 Pinion Cam	CAM.102	—
4	PB10 Cylinder Bushing	BUSH.102	—
5	PB12 1/4-20 1" FPHTC TYP23	SCREW.1027	US32D
	PB12 1/4-20 1" FPHTC TYP23	SCREW.1015	Black
6	PB13 1090 Axle Pin	PIN.106	SS
	PB13 1090 Axle Pin	PIN.114	BRS
	PB15 2090 Axle Pin	PIN.115	US32D
7	PB14 Dog Screw	SCREW.1022	—
9	PB30 Allen Wrench	WRENCH.101	—
11	PB38 1/4-20 3/8" Hex Soc Set Screw	SCREW.1030	US32D
	PB38 1/4-20 3/8" Hex Soc Set Screw	SCREW.1039	Black
12	PB42 Assembly Plate Assy	4270100304	—
13	PB61 Latch Spring	SPRING.104	—
14	PB62 Latch Link	4270101840	—
15	PB63 4-40 3/8" FL Posi-Drive Screw	SCREW.1031	—
16	PB64 Latchbolt Retractor	RETRACT.102	—
25	PB80 10/24 1/4" Hex Soc Set Screw	4270100155	—
26	PB81 Retaining Ring .240	RRING.102	—
28	PB89 2090 Backplate Assy LHR	4270902968	—
	PB89 2090 Backplate Assy RHR	4270902974	—
29	PB99 Hex Dogging Key	KEY.101	—
30	RD10 Spring Pin	PIN.104	—
31	RD9 Old Style Tension Spring	SPRING.102	—
	SD9 Tension Spring	SPRING.103	—
32	SD43 Axle Bushing	BUSH.103	—
33	SD45 Spring Retainer	RETAIN.102	—

**1090/2090 SERIES PARTS LIST**

*For Units Furnished After 5/1/77*

**No. 34 End Case Assy LH/RH**

**LH=Hinge Stile assembly for RHR Device**

Model No.	Part No.	Finish
1990	4270902776	P28
1990	4270902778	P13
1990	4270902779	P35
1990, 2090	Case.106	US3
1990, 2090	Case.128	US4
1990, 2090	4270900087	US10
1990, 2090	4270900088	US10B
1990, 2090	4270900089	US26D
1990, 2090	Case.118	US26
2090	4270900090	US32D
1990, 2090	Case.112	US32

*(Includes part numbers: 2, 6, or 8, 7, 11, 20, 30, 32, 35, 37)*

**RH=Hinge Stile assembly for LHR Device**

Model No.	Part No.	Finish
1990	4270902782	P28
1990	4270902784	P13
1990	4270902785	P35
1990, 2090	Case.105	US3
1990, 2090	Case.126	US4
1990, 2090	4270900077	US10
1990, 2090	4270900078	US10B
1990, 2090	4270900079	US26D
1990, 2090	Case.117	US26
1990, 2090	4270900080	US32D
1990, 2090	Case.111	US32

*(Includes part numbers: 2, 6, or 8, 7, 11, 20, 30, 32, 36, 37)*

**No. 35 Lever Arm LH/RH – Active**

**LH=Lock Stile Lever Arm for LHR Device or Hinge Stile Lever Arm for RHR Device**

Model No.	Part No.	Finish
2090	4270902763	P28
2090	4270902766	P13
2090	4270902767	P35
2090	LARM.154	US3
2090	LARM.110	US4
2090	4270900284	US10
2090	4270900285	US10B
2090	4270900286	US26D
2090	LARM.155	US26
2090	4270900287	US32D
2090	LARM.139	US32

**RH= Lock Stile Lever Arm for RHR Device or Hinge Stile Lever Arm for LHR Device**

Model No.	Part No.	Finish
2090	4270902769	P28
2090	4270902772	P13
2090	4270902773	P35
2090	LARM.152	US3
2090	LARM.133	US4
2090	4270900294	US10
2090	4270900295	US10B
2090	4270900296	US26D
2090	LARM.153	US26
2090	4270900297	US32D
2090	LARM.140	US32

**No. 36 Lever Arm LH/RH – End Case**

**LH=Lock Stile Lever Arm for LHR Device or Hinge Stile Lever Arm for RHR Device**

Model No.	Part No.	Finish
2090	4270902799	P28
2090	4270902802	P13
2090	4270902803	P35
990, 1990	LARM.125	US3
990, 1990	LARM.138	US4
990, 1990	4270900147	US10
990, 1990	4270900148	US10B
990, 1990	4270900149	US26D
990, 1990	LARM.304	US26
990, 1990	4270900150	US32D
990, 1990	LARM.141	US32

**RH= Lock Stile Lever Arm for RHR Device or Hinge Stile Lever Arm for LHR Device**

Model No.	Part No.	Finish
2090	4270902805	P28
2090	4270902808	P13
2090	4270902809	P35
990, 1990	LARM.121	US3
990, 1990	LARM.132	US4
990, 1990	4270900137	US10
990, 1990	4270900138	US10B
990, 1990	4270900139	US26D
990, 1990	LARM.303	US26
990, 1990	4270900140	US32D
990, 1990	LARM.137	US32

**No. 37 Active Housing Assembly LH/RH**

**LH=Lock Stile assembly for LHR Device**

Model No.	Part No.	Finish
2090	4270902740	P28
2090	4270902742	P13
2090	4270902743	P35
2090	CASE.146	US3
2090	CASE.125	US4
2090	4270901777	US10
2090	4270901778	US10B
2090	4270901779	US26D
2090	CASE.147	US26
2090	4270901780	US32D
2090	CASE.132	US32

**RH= Lock Stile assembly for RHR Device**

Model No.	Part No.	Finish
2090	4270902746	P28
2090	4270902748	P13
2090	4270902749	P35
2090	CASE.142	US3
2090	CASE.1257	US4
2090	4270901787	US10
2090	4270901788	US10B
2090	4270901789	US26D
2090	CASE.143	US26
2090	4270901790	US32D
2090	CASE.133	US32

## No. 38 Active Housing Assembly LH/RH\*

LH=Lock Stile assembly for LHR Device

Model No.	Part No.	Finish
1990	4270902787	P28
1990	4270902789	P13
1990	4270902790	P35
1990	Housing.218	US3
1990	Housing.225	US4
1990	Housing.226	US10
1990	Housing.229	US10B
1990	Housing.231	US26D
1990	Housing.230	US26
1990	Housing.238	US15
1990	Housing.237	US14

\*(Includes housing, retainer spring, retainer, dog screw and mounting screws)

## No. 39 Crossbar 41"

Model No.	Part No.	Finish
1990, 2090	4270900091	US28
1990, 2090	4270900094	DC13
1990, 2090	4270900095	DC35
1990, 2090	CBAR.102	US3
1990, 2090	CBAR.132	US4
1990, 2090	4270900097	US10
1990, 2090	4270900098	US10B
1990, 2090	4270900100	US32D
1990, 2090	4270900099	US32

## ADJUSTABLE SPEED DOOR CLOSER

### Residential/Light Commercial Closer



#### Features:

- Fast and accurate Installation
- Adjustable Closing Speed
- For Interior Doors up to 85 lbs and 36" wide
- 5 year warranty
- UL rated (non-hold-open only)
- Available in Ivory and Dark Brown

Part No.	Description
DOR SC R85 IV	Closer, adj. speed, UL, Ivory, Non-hold open
DOR SC R85 DB	Closer, adj. speed, UL, Dark, Brown Non-hold open