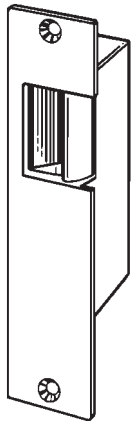


ELECTRIC STRIKES

Electric Strike #001

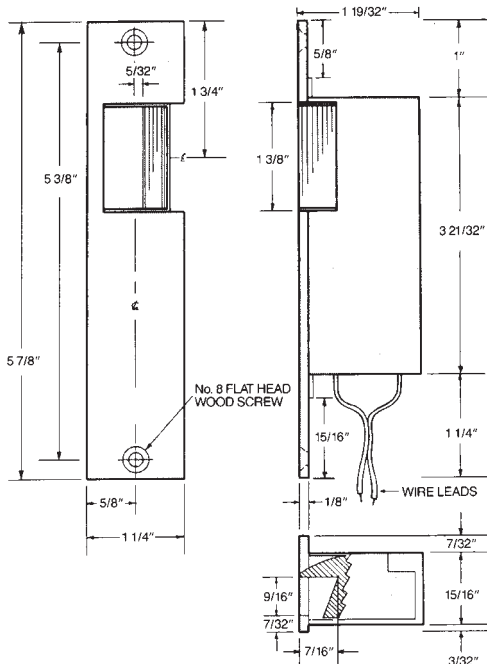


Application

For use in new or replacement installations in wood and metal jambs. For use with locksets having up to 5/8" throw, based on 1/8" door gap.

Features

- Durability: 500,000 life cycles
- Holding force: 1100 lbs.
- Face Plate: Scratch and corrosion resistant; narrow style measures 1 1/4" W
- Latch: Solid cast, chrome plated; cavity measures 1/2" D x 9/16" W x 1 3/8" H; heavy-duty latch springs
- Handing: Non-handed
- Backset: Mortise type; 1 9/16" D
- Action: Fail Secure (standard) — unlocks when energized
- Mechanism: One-piece release mechanism

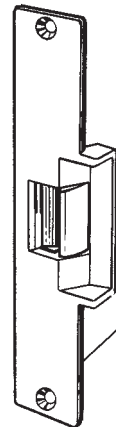


• FAIL SECURE (Intermittent Duty) — Normally Locked

Voltage	Current/Amps	OHMS	Sound
8-16VAC/4-6V DC	1.20	1.3	Buzz

- Part No.**
 TRN 001 8-16V AC
 TRN 001 SOL 24V DC
 TRN 001-C 8-16V AC

Electric Strike #002

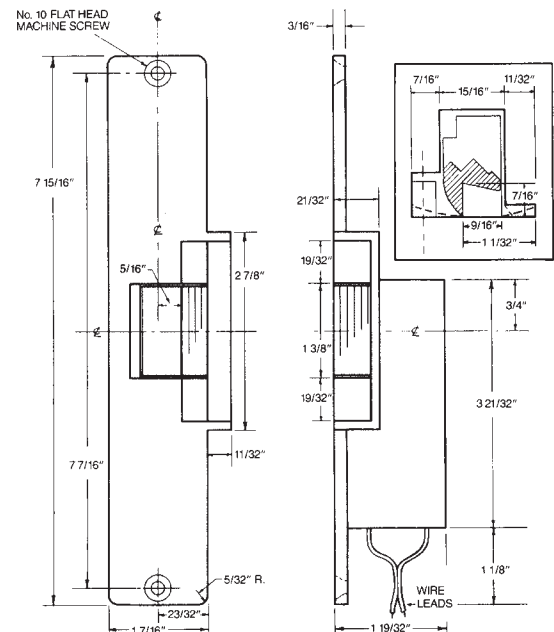


Application

For use in use in new or replacement installations in wood and metal jambs. Auxiliary lever ramps for use with locksets which contain dead locking levers. Use with locksets having up to 5/8" throw, based on 1/8" door gap.

Features

- Durability: 500,000 life cycles
- Holding Force: 1100 lbs.
- Auxiliary Lever Ramps: 27/8"; for locksets with auxiliary dead locking levers
- Latch: Solid latch catch; chrome plated; cavity measures 1/2" D x 9/16" W x 1 3/8" H; heavy duty latch springs
- Backset: Mortise type; 1 9/16" D
- Action: Fail Secure (standard) — unlocks when energized
- Handing: Non-handed
- Mechanism: One-piece release mechanism



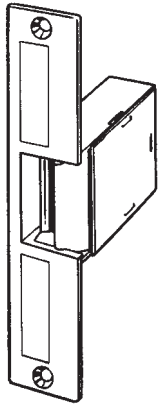
• FAIL SECURE (Intermittent Duty) — Normally Locked

Voltage	Current/Amps	OHMS	Sound
8-16V AC/4-6V DC	1.20	1.3	Buzz

- Part No.**
 TRN 002 8-16V AC

ELECTRIC STRIKES

Electric Strike #004

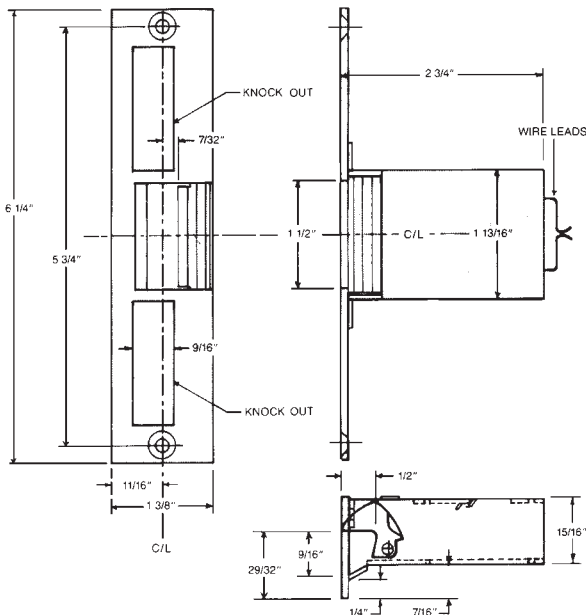


Application

For new or replacement installations in wood jambs. Use with locksets with individual dead bolts. Dead bolts cannot be released electrically. Use with locksets having up to 5/8" throw, based on 1/8" door gap.

Features

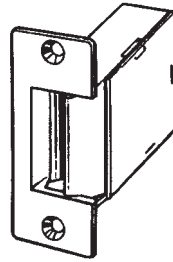
- Durability: 500,000 life cycles
- Holding Force: 1000 lbs.
- Face Plate: Scratch and corrosion resistant
- Knockouts: Top and bottom; 1 11/16" H x 9/16" W; to be used for deadbolts (non-electric)
- Latch: Solid cast, chrome plated; cavity measures 1/2" D x 1/2" W x 1 9/16" H; heavy duty latch springs
- Handing: Non-handed
- Backset: Mortise type, 2 11/16" D
- Action: Fail Secure (standard) — unlocks when energized
- Release: One-piece release mechanism



Electrical Characteristics

- FAIL SECURE (Intermittent Duty) — Normally Locked
- | Voltage | Current/Amps | OHMS | Sound |
|-------------------|--------------|------|-------|
| 8-16V AC/ 4-6V DC | 1.20 | 1.3 | Buzz |
- Part No.**
TRN 004-SOL 8-16V AC

Electric Strike #005

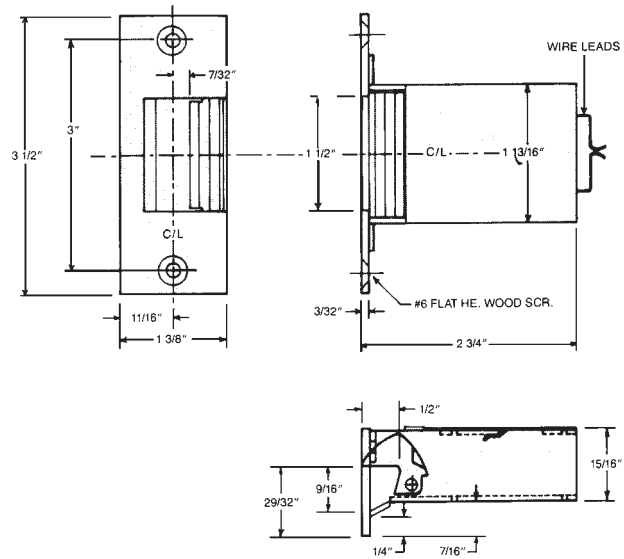


Application

For use in replacement installations in wood jambs and iron gates. Use with bored cylindrical locksets having up to 5/8" throw, based on 1/8" door gap.

Features

- Durability: 500,000 life cycles
- Holding Force: 1000 lbs.
- Face Plate: Scratch and corrosion resistant
- Latch: Solid cast, chrome plated; cavity depth 1/2"; width 9/16"; height 1 5/8"; heavy-duty latch springs
- Handing: Non-handed
- Backset: Mortise type; 2 3/4" D
- Action: Fail Secure (standard) — unlocks when energized
- Mechanism: One-piece mechanism

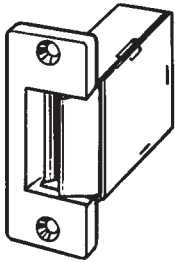


Electrical Characteristics

- FAIL SECURE (Intermittent Duty) Normally Locked
- | Voltage | Current/Amps | OHMS | Sound |
|------------------|--------------|------|-------|
| 8-16V AC/4-6V DC | 1.20 | 1.3 | Buzz |
- FAIL SAFE (Reverse Action) — Normally Unlocked
- | Voltage | Current/Amps | OHMS | Sound |
|---------|--------------|-------|--------|
| 24V DC | .19 | 125.0 | Silent |
- Part No.**
TRN 005 24V AC
TRN 005 8-16V AC
TRN 005-C 8-16V AC
TRN 005-RS (Fail Safe) 24V DC

ELECTRIC STRIKES

Electric Strike #S005

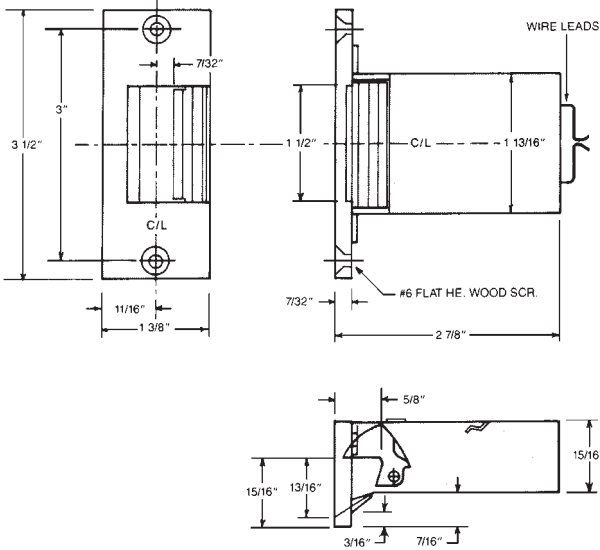


Application

For new or replacement installations in wood jambs and iron gates. Use with bored cylindrical locksets having up to 3/4" throw, based on 1/8" door gap.

Features

- Durability: 500,000 life cycles
- Holding Force: 1000 lbs.
- Face Plate: Scratch and corrosion resistant
- Latch: Solid cast, chrome plated; cavity depth 5/8"; width 23/32"; height 19/16"; heavy-duty latch spring
- Handing: Non-handed
- Backset: Mortise type, 27/8"D
- Action: Fail Secure (standard) — unlocks when energized
- Mechanism: One-piece release mechanism*



Electrical Characteristics

- FAIL SECURE (Intermittent Duty) Normally Locked

Voltage	Current/Amps	OHMS	Sound
8-16V AC/4-6V DC	1.20	1.3	Buzz
24V AC	1.40	4.7	Buzz
24V DC	.19	125.0	Silent

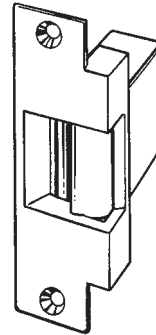
- FAIL SAFE (Reverse Action) — Normally Unlocked

Voltage	Current/Amps	OHMS	Sound
24V DC	.19	125.0	Silent

Part No.

- TRN S-005 24V AC
- TRN S-005 8-16V AC
- TRN S-005 RS-SOL 24V DC
- TRN S-005-C 24V AC
- TRN S-005C 8-16V AC

Electric Strike #007



Application

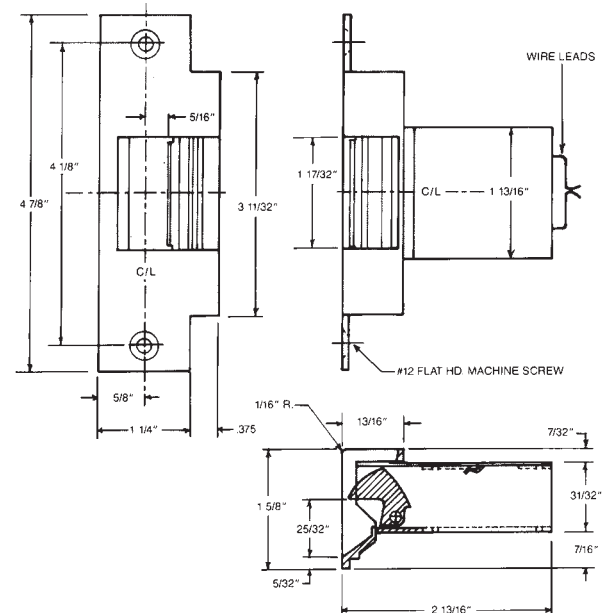
For use in new or replacement installations in wood jambs. Use with locksets having up to 3/4" throw, based on 1/8" door gap.

Features

- Durability: 500,000 life cycles
- Holding Force: 1000 lbs.
- Face Plate: Scratch and corrosion resistant
- Latch: Solid cast, chrome plated; cavity measures 5/8"D x 3/4"W x 1 17/32"H; heavy-duty latch springs
- Backset: Mortise type, 2 13/16"D
- Handing: Non-handed
- Action: Fail Secure (standard) — unlocks when energized
- Mechanism: One-piece release mechanism

Standards

- ANSI TYPE — 4 7/8" x 1 1/4"
- ANSI / BHMA — 156.5-1984 fits cutout specification A115.1 (with slight jamb modification)



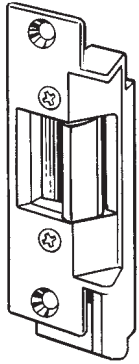
Electrical Characteristic

- FAIL SECURE (Intermittent Duty) — Normally Locked

Voltage	Current/Amps	OHMS	Sound
8-16VAC/4-6V DC	1.20	1.3	Buzz

Part No.

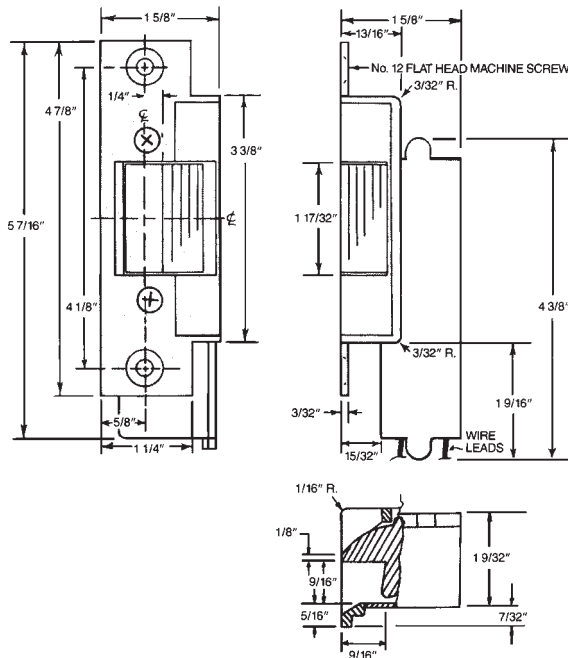
- TRN 007 8 16V AC
- TRN 007 C SOL 10 16V AC

ELECTRIC STRIKES
Electric Strike #012

Application

For new or replacement installations in metal jambs. Use with locksets having up to 5/8" throw, based on 1/8" door gap.

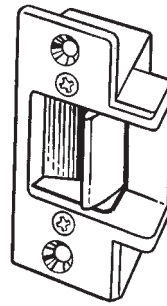
Features

- Durability: 300,000 life cycles
- Holding Force: 1200 lbs.
- Construction: Heavy-duty; tamper and burglar resistant
- Mechanism: Solid brass locking mechanism
- Case: Die cast
- Face Plate: Scratch and corrosion resistant
- Latch: Solid cast; chrome plated; cavity measures 9/16"D × 9/16"W × 1 17/32"H; heavy-duty latch springs
- Wire Leads: Heavy-duty 6", 18 AWG
- Backset: Mortise type; 1 5/8"D
- Action: Fail Secure (standard) — unlocks when energized
- Other: Solenoid actuated — Push / Pull Linkage


Electrical Characteristics

- FAIL SECURE (Intermittent Duty) — Normally Locked

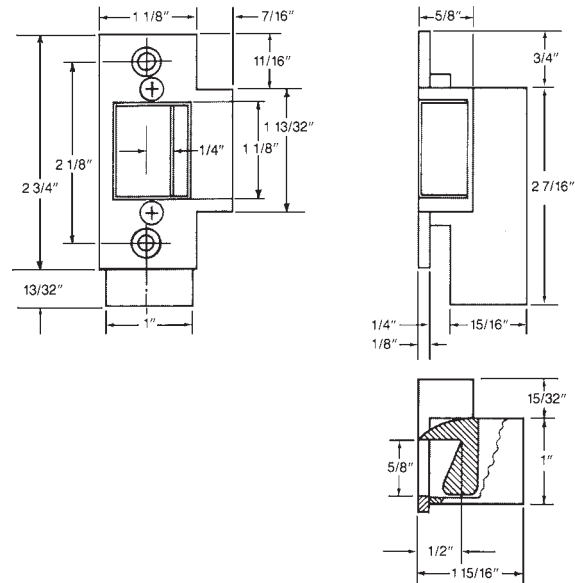
Part No.
TRN 012 24V AC

Electric Strike #014

Application

For use in new or replacement installations in metal jambs. Use with locksets having up to 5/8" throw, based on 1/8" door gap.

Features

- Construction: Miniature design — the smallest Electric Strike available. Tucks into hollow metal jambs and partitions.
- Face Plate: Scratch and corrosion resistant
- Case: Die cast
- Latch: Solid cast, chrome plated; cavity measures 1/2"D × 5/8"W × 1/8"H; heavy duty latch springs
- Handing: Non-handed
- Backset: Mortise type, 1 1/4"D
- Action: Fail Secure (standard) — unlocks when energized


Electrical Characteristics

- FAIL SECURE (Intermittent Duty) — Normally Locked

Voltage	Current/Amps	OHMS	Sound
10-16V AC	1.000	4.3	Buzz

Part No.
TRN 014-C 10-16V AC

3000 SERIES ELECTRIC STRIKES

Model 3234



Application

For use in new or replacement installation in metal frames. Use with cylindrical locksets having up to 5/8" throw, based on 1/8" door gap.

Features

- Compact: Smallest mortise backset in the industry (1")
- Durability: 500,000 life cycles
- Holding force: 1200 lbs.
- Latch: Solid cast stainless steel with heavy duty latch spring
- Handing: Non-handed

Specifications

- Face Plate: 23/4" x 11/8"
- Mortise Backset: 1"
- Cavity Depth: 1/2"
- Cavity Width: 5/8"
- Cavity Height: 11/8"
- ANSI 23/4" standard

Part No.

- TRN 3234 US4 24VDC
- TRN 3234 US10B 24VDC
- TRN 3234 US26D 24VDC

LC Model

LC models utilize an external line conditioner module to regulate voltage. It regulates input voltages, 12–24 AC or DC, and conditions the output for the pull in activation period. Then reduces voltage output for continuous operation.

Part No.

Description

- TRN 3234LC US26D -----12 thru 24V AC or DC

Model 3234W



Application

For use in new or replacement installation in wood frames. Use with cylindrical locksets having up to 5/8" throw, based on 1/8" door gap.

Same Features as Model 3234

Specifications

- Face Plate: 33/4" x 11/4"
- Mortise Backset: 1"
- Cavity Depth: 1/2"
- Cavity Width: 5/8"
- Cavity Height: 11/8"

Part No.

- TRN 3234W US26D 24VDC

Model 3478



Applications

For use in new or replacement installation in wood, metal or aluminum frames. Use with cylindrical locksets having up to 5/8" throw, based on 1/8" door gap.

Same Features as Model 3234

Specifications

- Face Plate: 47/8" x 11/4"
- Mortise Backset: 1"
- Cavity Depth: 1/2"
- Cavity Width: 5/8"
- Cavity Height: 11/8"

Part No.

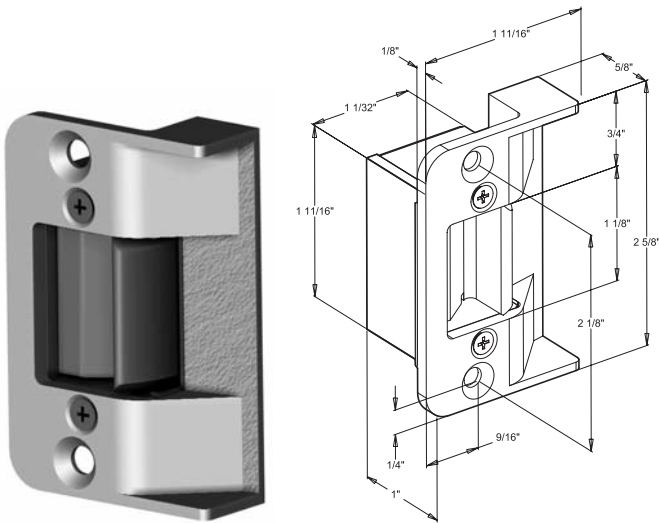
- TRN 3478 US10B 24VDC
- TRN 3478 US32D 24VDC

LC Model

LC models utilize an external line conditioner module to regulate voltage. It regulates input voltages, 12–24 AC or DC, and conditions the output for the pull in activation period. Then reduces voltage output for continuous operation.

Part No.

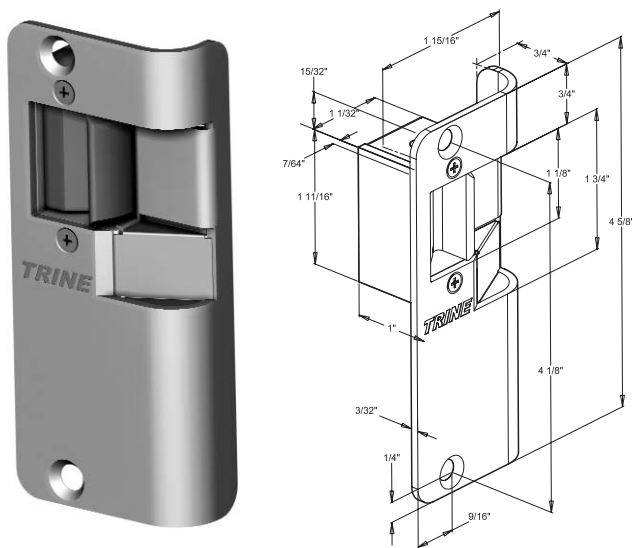
- TRN 3478LC US32D

3000 SERIES ELECTRIC STRIKES
Model 3258

Application

For new or replacement installation in Aluminum frames using 5410, 4710, and 4750 Adams Rite dead latches. Replaces 4502 strike plate with slight frame modification.

- 25/8" x 19/16" Face Plate

Part No.	Description
TRN 3258LC US32D	-----12 thru 24V AC or DC

Model 3458

Application

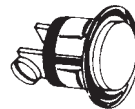
For new or replacement installation in Aluminum frames. Replaces 4730/4501 strikeplate with slight frame modification.

- 45/8" x 19/16" Face Plate

Part No.	Description
TRN 3458LC US32D LH	-----12 thru 24V AC or DC
TRN 3458LC US32D RH	-----12 thru 24V AC or DC

SIGNALING DEVICES
Push Buttons

To provide for regional tastes, traditional styles and classic door hardware requirements, Trine produces more styles and finishes of push buttons than any other manufacturer. Our large selection offers push buttons in lighted and non-lighted styles which range from economy to custom and decorator buttons. These popular styles are for new or replacement uses. There is no special wiring required.



Part No.	Description
TRN 45A	-----Silver, Pearl Center, 13/16" Dia
TRN 45G	-----Gold, Pearl Center, 13/16" Dia.



Part No.	Description
TRN 45LA	-----Push Button, Lighted, 13/16" Dia.



Part No.	Description
TRN JRP	-----Push Button, Polished Brass "Victor Jr" 13/4" Dia.

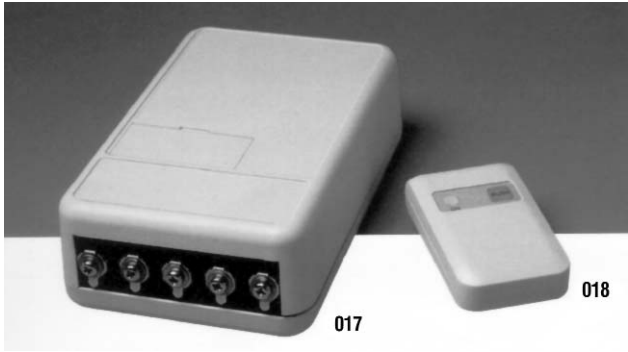


Part No.	Description
TRN SRP	-----Push Button, Polished Brass "Victor Sr" 21/4" Dia.

WIRELESS SIGNALING DEVICES

These new state-of-the-art units eliminate the need for old fashioned wiring from the pushbutton to the transformer and strike. They allow the wireless activation of low voltage devices such as strike, locks and bolts, electromagnets and garage doors from a remote location. The lightweight, transportable mini-transmitter allows the user freedom of movement up to 150 feet from the receiver.

Digital Coded Receiver and Mini-Transmitter



Receiver:

- Built-in 5-45 second time delay
- Operates on a range of 12 to 24 volts (AC/DC)
- 6,561 security codes available
- Three amp “normally open and normally closed” contacts
- Numbered screw terminals provided
- Contemporary design includes provision for wall mounting

Transmitter:

- 150 feet operating range
- Saw resonator used for durability and reliability
- 6,561 security codes available
- LED indicates operation
- 12-volt battery included
- Belt clip and key ring
- Contemporary design
- Operates on 318 Mhz

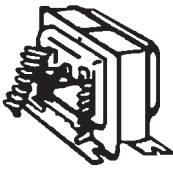
Part No.	Description
TRN 017TDC -----	Receiver
TRN 018-1 -----	Mini-Transmitter

LOW VOLTAGE TRANSFORMERS



For electric strikes, bells, buzzers, chimes, and other low voltage devices. A complete line of UL Listed step down transformers. Easy to install, low voltage, 120V AC primary (#592Y-240 volt AC) for residential, commercial and industrial uses. Transformers will safely take themselves off line when they over-heat. Transformers can be either base mounted or attached to standard 1/2" knockouts on boxes or cabinets (except plug-in types). All primary leads are pre-stripped for quick connection.

Clamp-On Type



- Equipped with convenient screw-bracket mounting clamp for standard 1/2" knockouts
- 120 volt primary AC

Part No	Voltage
TRN 525 Tri Volt -----	8, 16, 24V AC
TRN 599 24V AC -----	24V-40W

Plug-In Type



- 120 volt primary AC

Part No.	Voltage
TRN 5201 24V AC -----	24V-10W
TRN 5203 16VAC -----	16V-10W
TRN 5204 12V AC -----	12V-10W

Plug-In Type/Tri-Volt



- 120 volt primary AC

Part No.	Voltage
TRN 5205 8-16 24V AC -----	24V-20W