

ABOUT SOSS INVISIBLE HINGES

The Hinge That Hides Itself

Since 1909, SOSS Invisible Hinges® have provided architects, builders, manufacturers and do-it-yourselfers with the ease, convenience and safety of a concealed hinge. When the door or lid is closed, the hinges are completely hidden from view, resulting in a completely tamperproof hinge.

Today, SOSS hinges can be found in hundreds of applications: computers, electronic cabinetry, communications equipment, commercial and residential construction.

Made from heavy-duty, rust proof zinc alloy castings, and available in a wide range of sizes and finishes, the SOSS invisible hinges open a full 180°.

Application Benefits Include...

Wide Range of Sizes

18 sizes in all. From light-duty, non-load bearing to heavy-duty door hinges, you are sure to find a size for your application.

Smooth Operation

The engineered link construction reduces friction for smooth, easy operation.

Superior Construction

SOSS hinges are made from both CR plated steel and a heavy-duty zinc alloy, assuring years of dependable operation.

Choice of Finishes

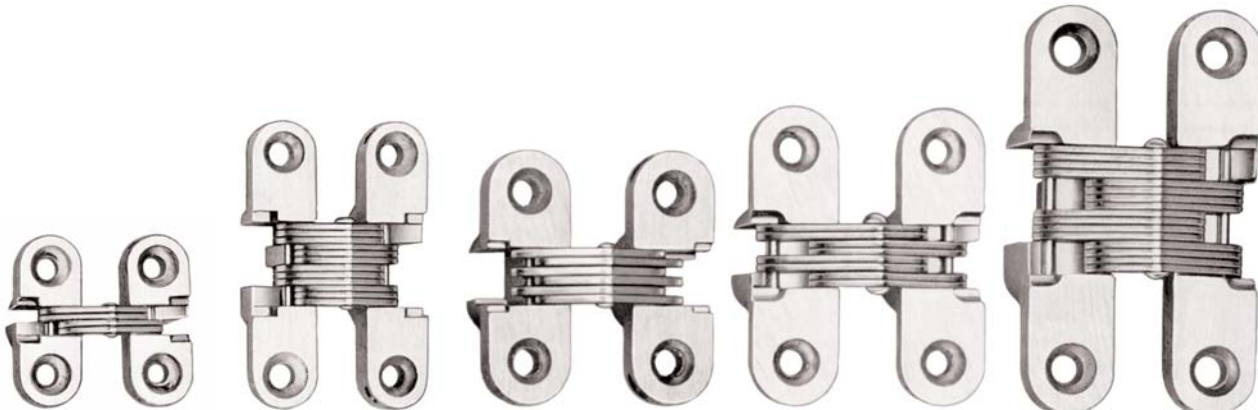
SOSS hinges are available in dull brass, dull bronze, dull chrome and unplated. Other finishes available.

Engineering Assistance

For special applications, engineering assistance is available.

INVISIBLE HINGES

Light-Duty Application



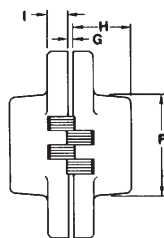
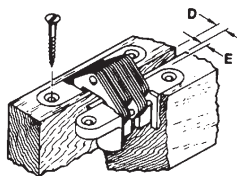
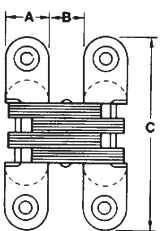
SOS 100

SOS 101

SOS 103

SOS 203

SOS 204



Dimension	100*	101*	103*	203	204
A	3/8"	3/8"	1/2"	1/2"	1/2"
B	9/32"	19/64"	3/8"	23/64"	23/64"
C	1"	1 1/16"	1 1/2"	1 3/4"	2 3/8"
D	3/32"	7/64"	3/8"	7/64"	7/64"
E	3/32"	3/32"	1/8"	1/8"	1/8"
F	3/8"	7/8"	1 1/16"	3/4"	1 1/4"
G	1/32"	1/32"	1/32"	1/32"	1/16"
H	15/32"	29/64"	19/32"	23/32"	23/32"
I	15/64"	7/32"	7/32"	3/16"	1/4"
Min. Wood Thickness	1/2"	1/2"	3/4"	3/4"	3/4"
Screw Sizes	#5 x 3/4"	#5 x 3/4"	#6 x 1"	#6 x 1"	#7 x 1 1/4"

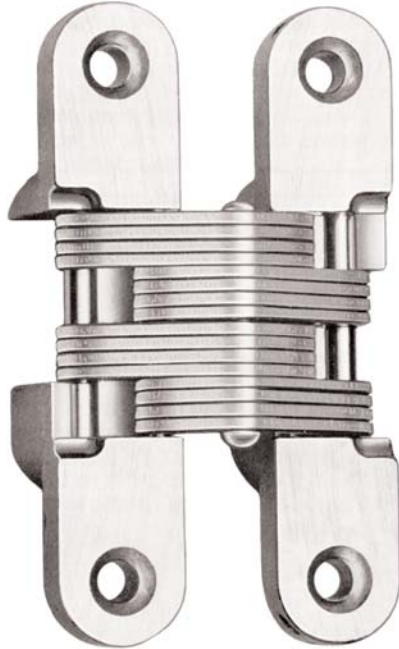
Part No.	Description
SOS 100-606	Hinge Non-Load Bearing
SOS 101-606	Hinge Non-Load Bearing
SOS 103-606	Hinge Non-Load Bearing
SOS 203-606	Hinge Load Bearing
SOS 204-606	Hinge Load Bearing

*Non-load bearing

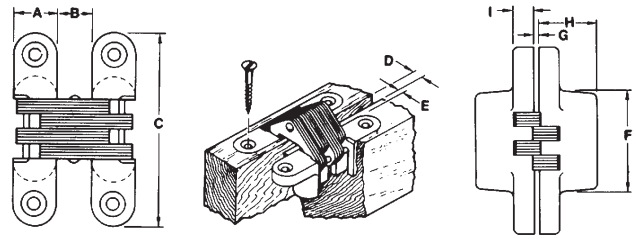
All hinges in table are shipped with the proper size wood screws.

INVISIBLE HINGES

Medium-Duty Application



SOS 212



Hinge	208	212
A	5/8"	3/4"
B	29/64"	17/32"
C	23/4"	33/4"
D	9/64"	5/32"
E	5/32"	3/16"
F	111/32"	21/16"
G	3/64"	3/64"
H	29/32"	15/64"
I	9/32"	3/8"
Min. Wood Thickness	1"	11/8"
Screw Sizes	#8 × 11/4"	#10 × 11/4"

All hinges in table are shipped with the proper size wood screws.

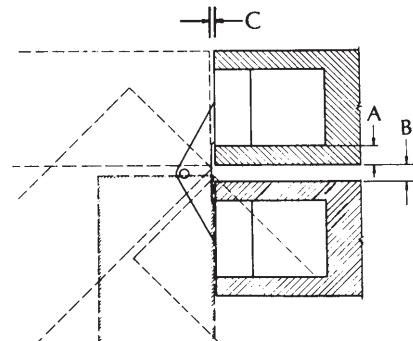
Part No.	Description
SOS 208-606	Hinge Load Bearing
SOS 212-606	Hinge Load Bearing



SOS 208

Path & Clearance of Doors

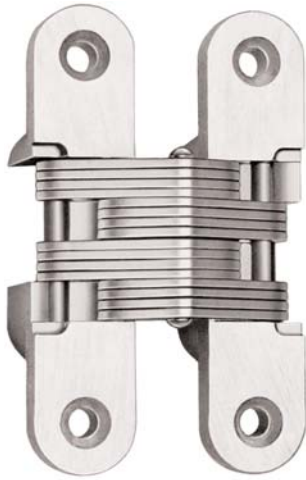
Hinge Clearance: Typical path of a SOSS hinged door is indicated in this drawing. Table shows fully opened door clearances.



Hinge	A	B	C
204	1/8"	7/64"	1/16"
208	5/32"	9/64"	3/64"
212	3/16"	5/32"	3/64"
216	1/4"	7/32"	1/16"
218	1/4"	3/8"	3/64"
220	9/32"	1/2"	1/16"

INVISIBLE HINGES

Heavy-Duty Application



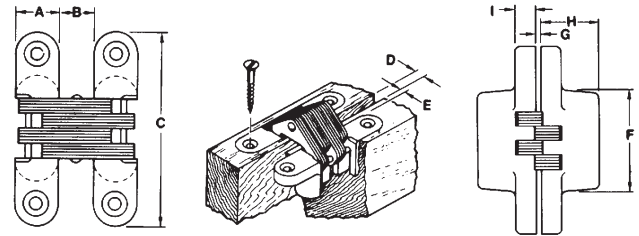
SOS 216



SOS 218



SOS 220



Hinge	216	218	220
A	1"	1 1/8"	1 3/8"
B	23/32"	7/8"	1 1/16"
C	45/8"	45/8"	5 1/2"
D	7/32"	3/8"	1/2"
E	1/4"	1/4"	9/32"
F	2 19/32"	27/16"	2 15/16"
G	1/16"	1/16"	1/16"
H	17/16"	14 1/64"	1 15/16"
I	15/32"	13/32"	15/32"
Min. Wood Thickness	1 3/8"	1 3/4"	2"
Screw Sizes	#14 x 1 1/2"	#10 x 1 1/2"	#12 x 1 1/2"

All hinges in table are shipped with the proper size wood screws.

218 and Number 220 for full size doors, all include reinforced nylon at all wear points to permit frequent operation with long life.

Part No.	Description
SOS 216-606	Hinge Load Bearing
SOS 216-626	Hinge Load Bearing
SOS 218-606	Hinge Load Bearing
SOS 218-626	Hinge Load Bearing
SOS 220-606	Hinge Load Bearing

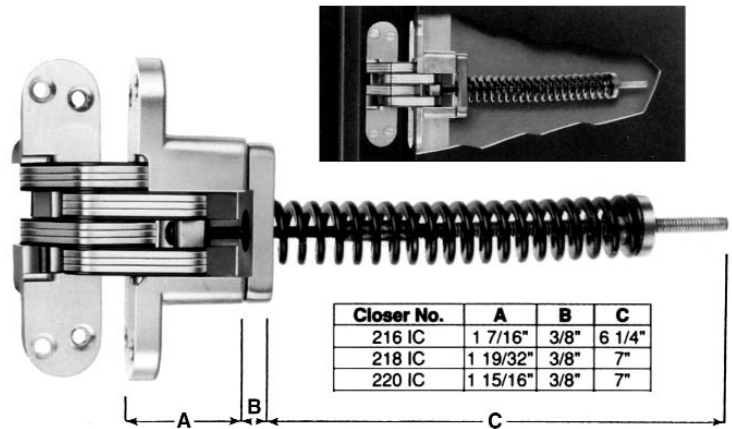
INVISIBLE HINGES

Spring Hinge

The SOSS Invisible Closer functions as an invisible spring hinge. This gives you a closer that is totally invisible from either side when the door is closed. When the door is open, you see only the hinge face and links. The closure rate is completely adjustable with an allen wrench after installation, and does not require removal of the closer. Available in sizes 216, 218, and 220. Allow one closer for each 75 pounds of door weight. Placement of the spring assembly can be inside either the door itself or the door jamb. In retrofit applications changing from a regular SOSS Invisible Hinge to a SOSS Invisible Closer, the mortise depth must be increased by $\frac{3}{8}$ ", with a hole drilled to allow for insertion of the spring.

The SOSS Invisible Closer is ideally suited for all types of doors $1\frac{3}{8}$ " thick or more. Recommended spacing is one-half of the distance from the center of the door to the center of the top hinge.

Not stocked, available on Factory Order



Part No.
SOS 216 IC 626
SOS 218 IC 626
SOS 220 IC 626

Fire Rated Invisible Hinges

The #420 Underwriters Laboratories labeled SOSS Invisible Hinge is rated for three hour service with all UL three hour labeled hollow-metal doors and frames. Allow no more than 20" of door height per hinge and no more than 60 lbs. per hinge (55 lbs. per closer). A SOSS self-closing version of the #420 is available as item #420IC. This also has a 3 hour UL rating.

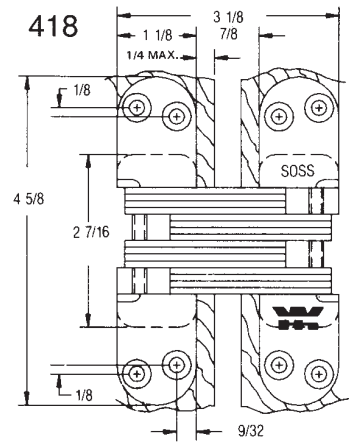
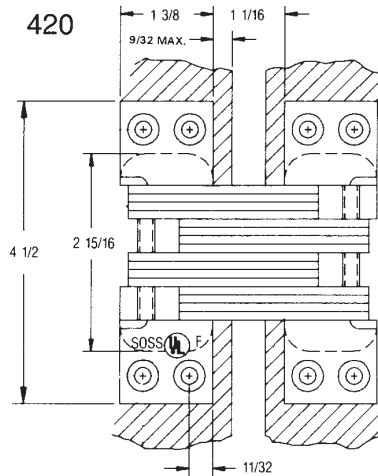


- For metal doors at least $1\frac{3}{4}$ " thick
- #12-24 x 1" machine screws provided



- For wood doors at least $1\frac{3}{4}$ " thick
- #10 x $2\frac{1}{2}$ " wood screws provided

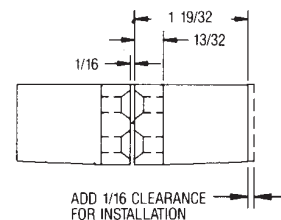
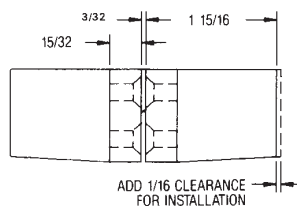
The #418 Warnock Hersey labeled SOSS Invisible Hinge has a 90 minute rating when used with specially constructed 90 minute labeled wood-faced doors to Georgia Pacific specifications with Firestop edges. The #418 can also be used with Warnock Hersey 20 minute rated wood doors and frames; and, with all steel doors and frames for Warnock Hersey ratings. Both hinges require special jamb and door preparations. refer to the appropriate manufacturer specifications.



Both fire rated hinges are available in US4, US26D and UNP finishes

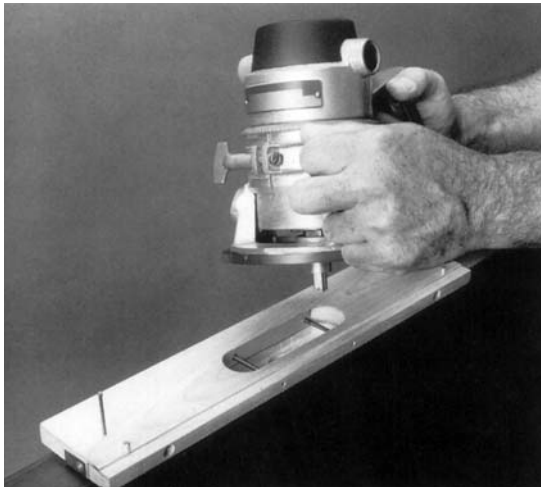
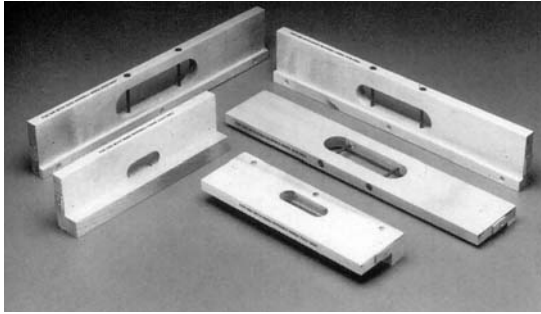
Not stocked, available on Factory Order

Part No.
SOS 418
SOS 420



INSTALLATION AIDS

Hinge Router Guide Template



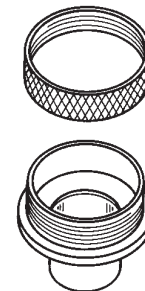
Installation of SOSS Invisible Hinges has never been easier or faster. Router guide installation templates are available for sizes 101, 103, 203, 204, 208, 212, 216, 220 and 418. A perfect routed outline is fool proof when using the template (the only critical dimension is the depth of the shallow mortise), so you can expect a perfect installation every time.

Each router guide template is individually handcrafted for exactness. The template is held on the door and jamb with nails; guide pins locate the deep mortise. The edges of the template assure a perfect outline when used with the Porter-Cable Template Guide #42024 (Lock Face Routing) and #42237 (Lock Nut). Use of this Porter-Cable Template Guide will yield $2\frac{1}{32}$ " I.D., $\frac{3}{4}$ " O.D. and $\frac{9}{16}$ " distance past router base.

Not stocked, available on Factory Order

- Part No.**
 SOS 208-IT
 SOS 212-IT
 SOS 216-IT
 SOS 218-IT
 SOS 220-IT

Soss Hinge Model No.	Router Bit Size
101	1/4"
103	3/8"
203	3/8"
204	3/8"
208	3/8"
212	3/8"
216	1/2"
218	1/2"
220	1/2"



Router Guide Bushing & Locknut

Guide bushing and locknut for use with SOSS Invisible Hinge Router Guide. Guide bushing I.D. $2\frac{1}{32}$ ", O.D. $\frac{3}{4}$ "; Distance past base $\frac{9}{16}$ "; locknut fits bushing. Fits most routers.