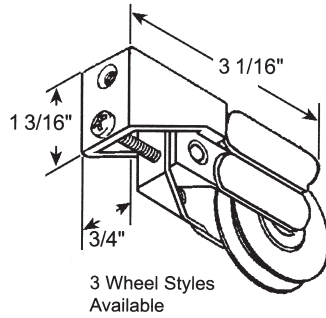


SLIDING DOOR ROLLERS

Bottom Roller Assemblies

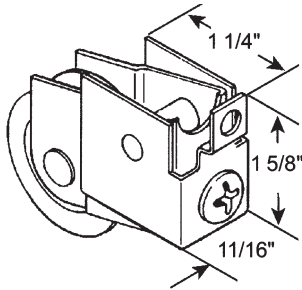


3 Wheel Styles Available

- For sliding glass doors
- 1 1/4" grooved steel ball bearing roller
- Steel Housing — 3 1/16" L x 1 3/16" H x 3/4" W
- One per package

Part No.
SLD 13127

With "O" Tabs:

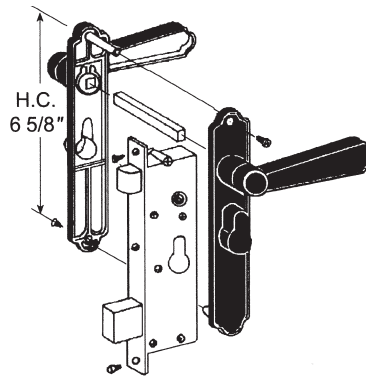


- Fits Premiere 100 series and other sliding glass doors
- 1 1/2" O.D. steel ball bearing grooved roller
- Steel housing measures 1 1/4" L x 1 5/8" H x 1 1/16" W
- One per package

Part No.
SLD 13178

SECURITY DOOR LOCKSET

Latch & Handle Set

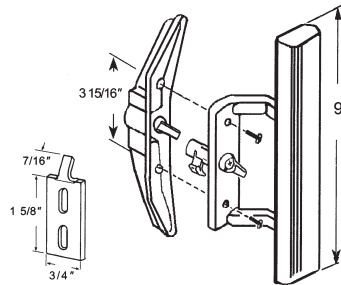


- Use on Academy (and other wire mesh type security doors) from 3/4" to 1 3/4" thick
- Heavy duty with reversible 1" throw latchbolt
- Low-profile lever handles
- Black finish
- Set can be keyed
- One set per package

Part No.
SLD K5057

SLIDING DOOR HANDLESETS

Glass Door Handle Sets



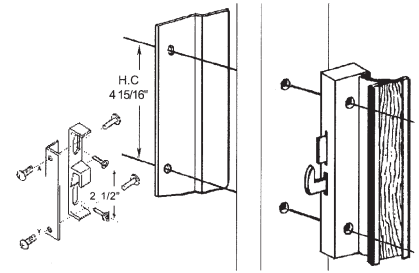
Glass door handle, latch and outside pull — not keyed.

- Surface mounted
- Aluminum finish
- Inside handle is wood
- Flip latch
- Cover plate with die cast thumb turn
- Outside pull
- Strike
- One set per package, with screws and binder posts

To key this handle, order Key Cylinder No. 14644 (F/O)
To order this handle already keyed, order No. 14643 (F/O)

Part No.
SLD 14186

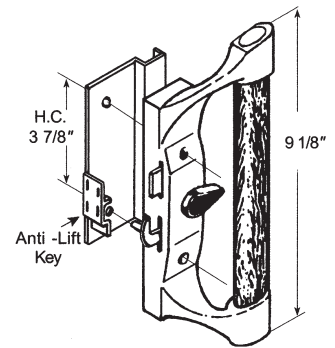
"Universal"



Replacement handle for all inside and outside glass door handles. Features safety anti-lift key which prevents manipulation of sliding panel. Complete with instructions.

- Surface mounted
- Not keyed
- Inside handle heavy extruded aluminum with wood-grain strip
- Adjustable strike
- Outside pull — clear anodized
- Strike
- One set per package, with binder posts and screw kit

Part No.	Description
SLD 14206	-----Aluminum Handle
SLD 14206-B	-----Bronze Handle

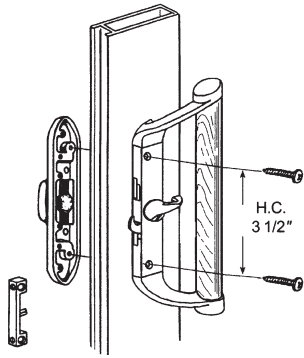


Glass door handle and latch set and outside pull.

- Not keyed
- Surface mounted
- Inside handle with holes centered at 3 7/8"
- Walnut pull insert
- Outside pull — clear anodized
- Anti-lift key prevents unauthorized entry by outside door manipulation
- One set per package, with screw kit

Part No.
SLD 14377

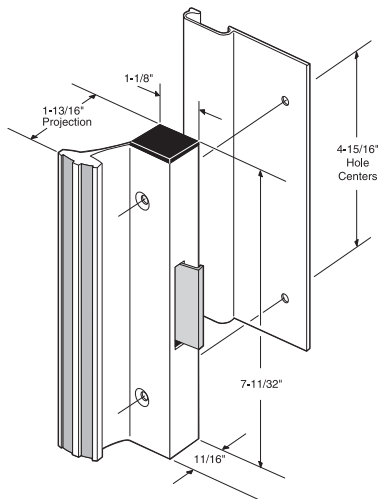
SLIDING DOOR HANDLESETS



Glass door handle and latch set with outside pull.

- Surface mounted
- Aluminum finish
- Inside handle is wood with thumb turn
- Outside pull is die cast
- Latch
- Strike
- One set per package, with screws

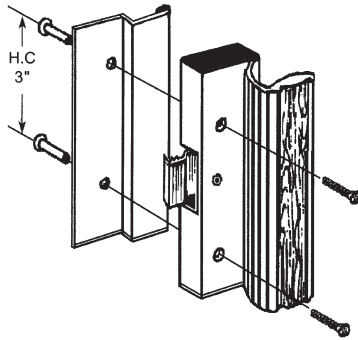
Part No. Keying
 SLD 14950-----Not Keyed
 SLD 14950K-----Keyed



Glass door handle, outside pull and latch.

- Surface mounted
- Anodized aluminum finish
- Inside handle: extruded aluminum with wood grain strip
- Flush outside pull: extruded aluminum
- Clam latch with metal activator
- Binder posts and screws
- Not keyed
- One set per package

Part No.
 SLD 14399



Fits International patio door and other sliding glass doors. Cannot be forced open, needs no adjustment to latch securely.

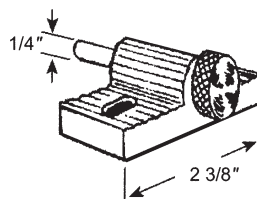
- Surface mounted
- Aluminum finish
- Inside handle, with black plastic end caps, wood strip
- Flush outside pull — extruded aluminum
- Clam latch and plastic activator
- Not keyed
- Binder posts and screws included

To key this handle, use Outside Pull Set No. 15566 (F/O).

Part No.
 SLD 14538

SLIDING DOOR SECURITY

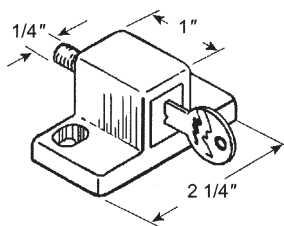
Security Device



- Aluminum or Black finish
- One per package, with screws

Part No. Description
 SLD 1599 -----Aluminum
 SLD 1599-B-----Black

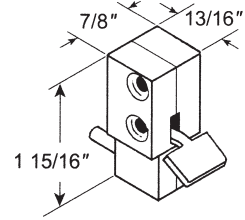
Keyed Security Lock



- Aluminum finish
- One per package, with screws

Part No.
 SLD 1599K

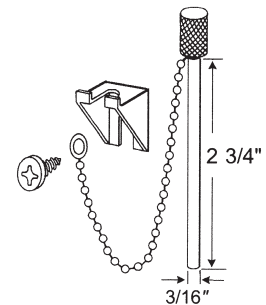
Foot Operated Security Device



- Foot operated
- Aluminum finish
- One per package, with screws

Part No.
 SLD 15561-A

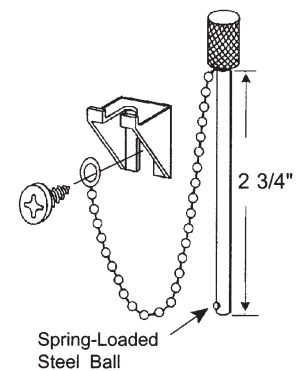
Nite-Lok Locking Pins



- Standard locking pin with plastic holder and screw
- One set per package

Part No.
 SLD 15301

Spring-Loaded



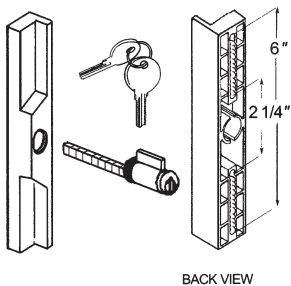
- Spring-loaded steel ball prevents pin from being jarred from the door
- Removes with a quick easy pull
- Very secure
- Complete with plastic holder and screw
- One set per package

Part No.
 SLD 15611

SLIDING DOOR HARDWARE & PARTS

Outside Pulls

with Locking Cylinder & Keys

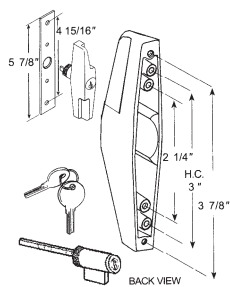


BACK VIEW

This one multi-hole outside keyed pull fits all inside door handles. Enables key locking of most handles. Adapts to glass door handles with mounting hole centers from 2 1/4" to 6".

- Heavy die cast zinc
- Aluminum or black finish
- Comes complete with an assortment of various length self-threading screws
- One per package

Part No.	Finish
SLD 15567-A	Aluminum
SLD 15567-B	Black



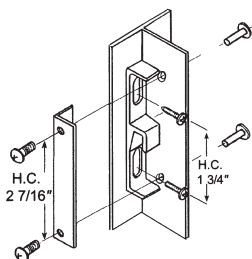
"Universal"

- Fits Daryl & most glass door handles
- Non-handed
- Threaded holes centered at 2 1/4", 3", & 3 7/8"
- 5 7/8" cover plate with H.C. holes (4 15/16")

- Aluminum finish
- One per package

Part No.
SLD 1449

Glass Door Strike

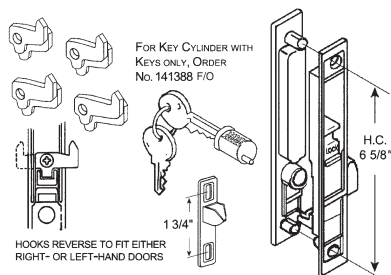


"Universal"

- Face mount extrusion with 1/2 x 1/2" angle plate (an anti-burglar feature)
- Aluminum
- One per package, with binder posts/screws

Part No.:
SLD 14564

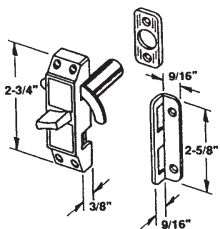
Flush Door Pull & Latch



- Flush-style door pull and latch with strike, locking cylinder and keys
- Aluminum for 1 1/8" thick doors
- Outside pull flush style, H.C. 6 5/8"
- Inside pull is flush style
- Keyed cylinder with two keys
- Adjustable strike
- Four pairs of hooks, reversible for right- or left-hand doors
- One set per package, with screws

Part No.
SLD 14416

Patio Door "Loop Lock"



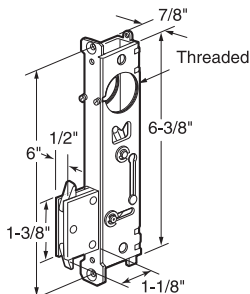
- Housing is heavy metal casting
- Hardened steel bolt
- Includes 1 each: lock, strike plate, key, set of installation screws

Part No	Description
SLD S4060	Lock

Key

Part No.	Description
SLD S4060-1	Key for S4060 Patio lock

Deadbolt Lock

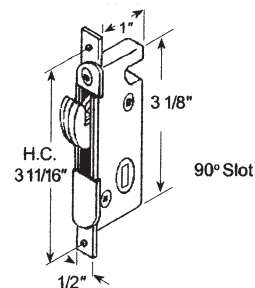


Steel housing, single-point deadbolt lock

- For pivoting or sliding door
- Anti-jimmy bolt with 2 secondary expending bolts
- Replaces W & F series 6000 or comparable locks

Part No.	Description
SLD J4504	Deadbolt 1 1/8" BS 1 pt for W & F

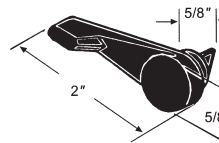
Mortise Lock



- Round end face plate
- Fits W & F and other glass door handles
- One per package, with screws

Part No.	Description
SLD 15410	90° vertical slot
SLD 15410-F	45° vertical slot

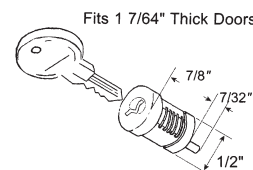
Thumb Latch



- Fits Arcadia and other glass door handles
- Black plastic
- One per package, with steel pin

Part No.
SLD 15199

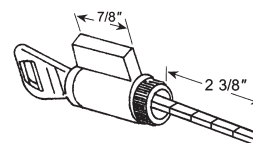
Locking Unit



- For handle sets No. 14416 and No. 14436
- 7/8" wafer-type locking unit with round post and keys
- Fits doors of 17/64" thickness
- One per package, with two keys

Part No.
SLD 14418

Cylinder Locks

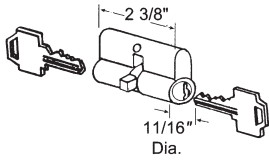


- KD
- 5-pin keyed tumbler with hardened tail-piece
- Break or cut to desired length
- Fits most glass door handles
- One per package, with two keys

Part No.	Keyway
SLD 1505	Weiser, Kwikset
SLD 1505-SGKD	Schlage

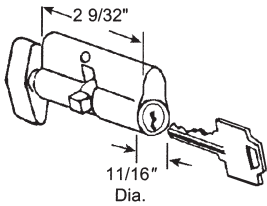
SLIDING DOOR HARDWARE & PARTS

Profile Cylinders



- Double key locking cylinder
- Has 5-pin tumbler for security screen door mortise locking devices
- For most doors, regardless of thickness
- Brass
- Kwikset keyway
- One per package, with screws & three keys

Part No.
SLD K5061

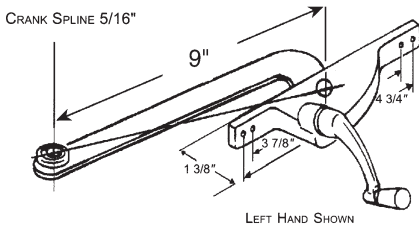


- Locking cylinder with thumb turn
- Has 5-pin tumbler for security screen door mortise locking devices
- Brass
- Kwikset keyway
- One per package, with screw & two keys

Part No.
SLD K5062

WINDOW HARDWARE

Casement Window Operator

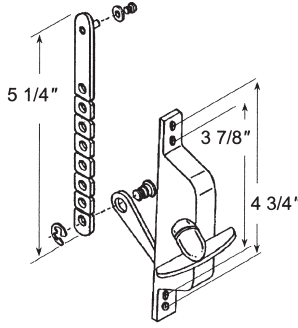


- 9" arm length

Part No. **Hand** **Finish**
SLD 1762-LA-----LH-----Aluminum
SLD 1762-RA-----RH-----Aluminum

Note: 6", 7" and 8" available F/O

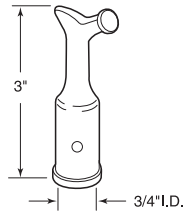
Universal Operator



- Replaces most Jalousie or Louvre operators on the market today
- Non-handed
- Center crank with 5 1/4" break-off link, 1/2" hole spacing
- Aluminum finish
- One per package, with screws

Part No.
SLD 17370

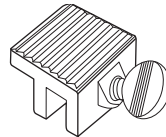
Transom Latch Hook



- White bronze casting
- Fits 3/4" diameter pole
- For ring pull handle and latches on upper story windows

Part No.
SLD H3662

Security Lock



Tighten screw on the window track to allow window to be open for ventilation, yet prevent window being opened further. May also be used with window in closed position. The most effective lock for single hung or sliding windows.

- Clear zinc or black finish
- Two per card

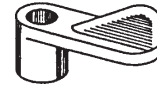
Part No. **Finish**
SLD 17271-----Aluminum
SLD 17271-B-----Bronze

Counter Display Carton:

- 250 pieces per display box

Part No.
SLD 17271-EB

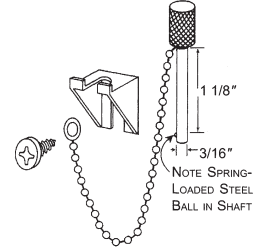
Plastic Screen Clip



- 7/16" stem
- Gray color
- Four per card with screws

Part No.
SLD 18716

Slip-Proof Locking Pin



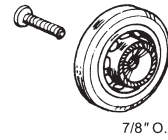
Spring-loaded steel ball prevents pin being jarred from window. Removes with quick, easy pull. Very secure and inexpensive.

- Easy to install
- Aluminum finish
- One pin and holder per package

Part No.
SLD 17612

SHOWER DOOR HARDWARE

Shower Door Roller

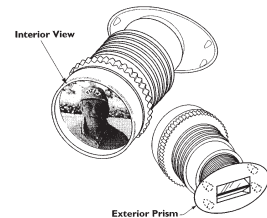


- Ball bearing wheels
- Two per package, with screws

Part No. **O.D. Dia., Shape**
SLD 19507-----7/8" Nylon Flat Tire

DOOR HARDWARE

Giant Screen Door Viewer



- Allows accurate identification from two to four feet away
- "True-Image" prism construction
- Fits doors up to 2" thick
- Blister packed on four-color card

Part No. **Color**
SLD U-9916-----Bronze
SLD U-9917-----White