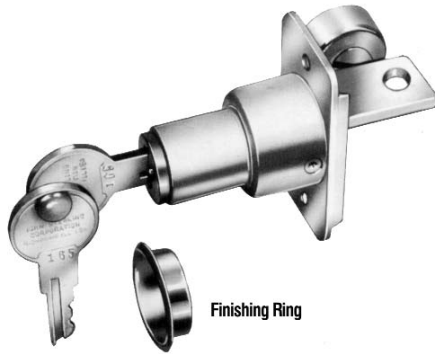


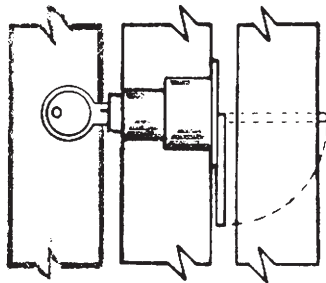
DOOR LOCKS

Sliding Pocket Door Lock



Low cost lock provides security for passage & closet doors. A simple low-cost means of locking pocket doors. May be installed in almost any pocket door.

All exterior surfaces are plated for good appearance. Quick and easy to install. No mortising. Fits door 1³/₈" to 1³/₄" thick. Jamb strike furnished. Two keys furnished. Available keyed alike or masterkeyed.



Cut-away view

One-half turn of key raises tongue and locks door from entering pocket.

Part No.
STL BX-1062

Folding Door Lock

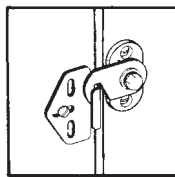


3/4" dia. Trim Ring included

Positive locking action. Easy to mount. Only one 3/4" hole needed in one door. Strike is mounted on back side of opposite panel or on striking jamb.

Key may be removed in either locked or unlocked position. Two keys supplied with each lock. Fits doors 3/4" up to 1³/₈" thick as supplied. Can be used on 1³/₄" doors by using 1" dia. Trim ring (STL 6856) sold separately.

Back view showing how center panels lock together.



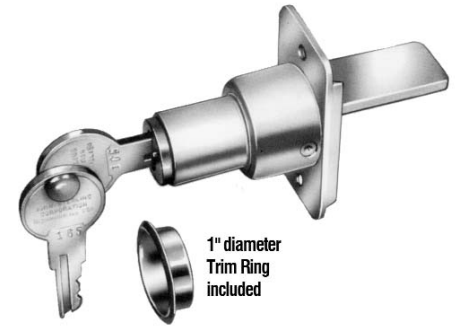
Back view Shows how center panels lock together.



Jamb Strike Included for two-panel installations. Mounts on jamb and receives lock hook.

Part No.
STL CD-1064

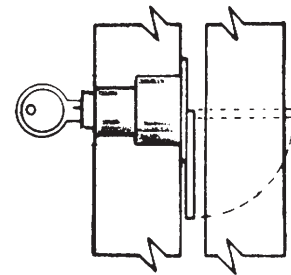
Sliding Door Lock



1" diameter Trim Ring included

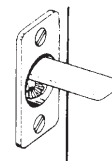
A truly quality wardrobe lock. Patented, positive-action design with lock cylinder geared directly to the tongue. One-half turn of key locks or unlocks. Fits doors 3/4" to 1³/₄" thick. Two keys supplied with each lock. Available in popular finishes.

All exterior surfaces are plated for good appearance. Quick and easy to install. No mortising. Fits door 1³/₈" to 1³/₄" thick. Jamb strike furnished. Two keys furnished. Available keyed alike or masterkeyed.

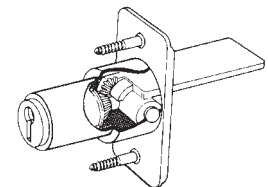


Cut-away view

One-half turn of key raises tongue and locks doors.



Back view Shows shows tongue in locked position.



Part No.
STL CD1068
STL CD1068 KA