

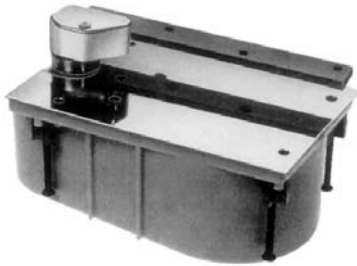
OFFSET HUNG FLOOR CLOSERS

- All offset hung floor closers are single acting and handed
- 3/4" offset floor closers locate the pivot point 3/4" from the heel edge of the door and 3/4" from the face of the door
- Door edges must be beveled 1/8" in 2"

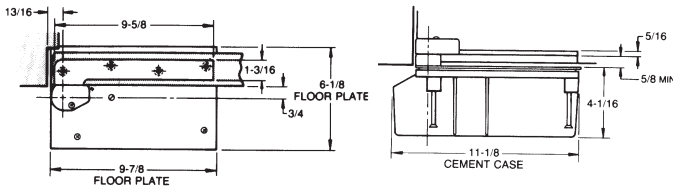
- 25 Series closers have a built-in hydraulic backcheck to cushion the opening from 140° to 180° (not adjustable)
- Frame door stop must be provided at door closed position
- For door sizes greater than shown and additional finishes, consult your Wilco representative

25 Series 3/4" Offset

For Exterior or Interior Doors



- Weight to 350 lbs.
- Sizes up to 4'0" x 8'6"



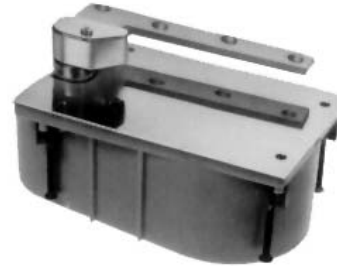
Description

- Available non-hold open
- Cylolac cement case
- Maximum opening 180°, trim permitting
- Vertical door adjustment
- Adjustable spring tension and closing speed
- Built-in hydraulic backcheck cushions opening from 140° to 180°
- Available for floor plate or threshold installation (floor plate shown)
- Standard top pivot: 180
- Intermediate pivot required

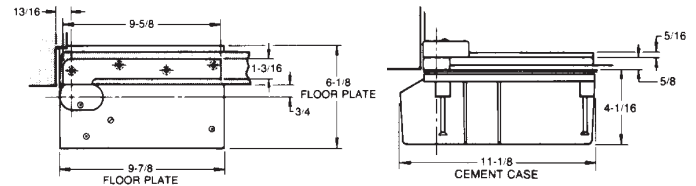
| Part No. | Description |
|-------------------|---|
| RIX 25 NHO 613 LH | -----Closer, complete non-hold open |
| RIX 25 NHO 613 RH | -----Closer, complete non-hold open |
| RIX 25 NHO 626 LH | -----Closer, complete non-hold open |
| RIX 25 NHO 626 RH | -----Closer, complete non-hold open |
| RIX 25 NHO LAP LH | -----Closer, less all parts non-hold open |
| RIX 25 NHO LAP RH | -----Closer, less all parts non-hold open |

27 Series 3/4" Offset

For Exterior or Interior Doors



- Weight to 450 lbs.
- Sizes up to 4'0" x 8'6"



Description

- Available (NHO) non-hold open, or (SHO) selective hold-open at 90° or 105°
- Cylolac cement case
- Separate independent valves for closing, latch and backcheck adjustments
- Built-in positive dead stop prevents door from swinging beyond the desired opening degree
- Vertical door adjustment
- Adjustable spring tension
- Available for floor plate or threshold installation (floor plate shown)
- Standard top pivot: 180, recommended intermediate pivot: M19

| Part No. | Description |
|-----------------------|---|
| RIX 27 105 NHO 613 LH | ----Closer, complete 105° non-hold open |
| RIX 27 105 NHO 613 RH | ----Closer, complete 105° non-hold open |
| RIX 27 105 NHO 626 LH | ----Closer, complete 105° non-hold open |
| RIX 27 105 NHO 626 RH | ----Closer, complete 105° non-hold open |
| RIX 27 90 NHO 613 LH | ----Closer, complete 90° non-hold open |
| RIX 27 90 NHO 613 RH | ----Closer, complete 90° non-hold open |
| RIX 27 90 NHO 626 LH | ----Closer, complete 90° non-hold open |
| RIX 27 90 NHO 626 RH | ----Closer, complete 90° non-hold open |
| RIX 27 105 SHO 613 LH | ----Closer, complete 105° selective hold open |
| RIX 27 105 SHO 613 RH | ----Closer, complete 105° selective hold open |
| RIX 27 105 SHO 626 LH | ----Closer, complete 105° selective hold open |
| RIX 27 105 SHO 626 RH | ----Closer, complete 105° selective hold open |
| RIX 27 90 SHO 613 LH | ----Closer, complete 90° selective hold open |
| RIX 27 90 SHO 613 RH | ----Closer, complete 90° selective hold open |
| RIX 27 90 SHO 626 LH | ----Closer, complete 90° selective hold open |
| RIX 27 90 SHO 626 RH | ----Closer, complete 90° selective hold open |
| RIX 27 105 NHO LAP LH | ----Closer, less all parts 105° non-hold open |
| RIX 27 105 NHO LAP RH | ----Closer, less all parts 105° non-hold open |
| RIX 27 90 NHO LAP LH | ----Closer, less all parts 90° non-hold open |
| RIX 27 90 NHO LAP RH | ----Closer, less all parts 90° non-hold open |
| RIX 27 105 SHO LAP LH | ----Closer, less all parts 105° selective hold open |
| RIX 27 105 SHO LAP RH | ----Closer, less all parts 105° selective hold open |
| RIX 27 90 SHO LAP LH | ----Closer, less all parts 90° selective hold open |
| RIX 27 90 SHO LAP RH | ----Closer, less all parts 90° selective hold open |

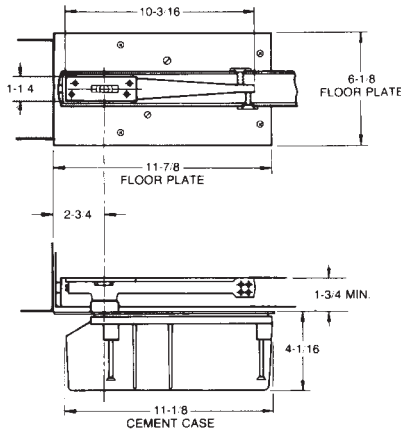
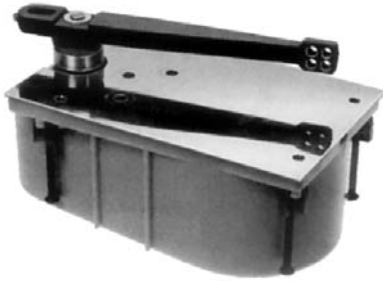
CENTER HUNG FLOOR CLOSERS

- The 28 Series floor closer is single acting and handed
- A frame applied stop a 0° must be used to prevent closer from closing beyond 0°

- it is not allowed for use on labeled fire doors and frames
- Available in all standard architectural finishes

28 Series

Exterior or Interior Doors



Part No.

Description

| | |
|-----------------------|---|
| RIX 28 105 NHO 613 LH | ----Closer, complete 105° non-hold open |
| RIX 28 105 NHO 613 RH | ----Closer, complete 105° non-hold open |
| RIX 28 105 NHO 626 LH | ----Closer, complete 105° non-hold open |
| RIX 28 105 NHO 626 RH | ----Closer, complete 105° non-hold open |
| RIX 28 90 NHO 613 LH | ----Closer, complete 90° non-hold open |
| RIX 28 90 NHO 613 RH | ----Closer, complete 90° non-hold open |
| RIX 28 90 NHO 626 LH | ----Closer, complete 90° non-hold open |
| RIX 28 90 NHO 626 RH | ----Closer, complete 90° non-hold open |
| RIX 28 105 SHO 613 LH | ----Closer, complete 105° selective hold open |
| RIX 28 105 SHO 613 RH | ----Closer, complete 105° selective hold open |
| RIX 28 105 SHO 626 LH | ----Closer, complete 105° selective hold open |
| RIX 28 105 SHO 626 RH | ----Closer, complete 105° selective hold open |
| RIX 28 90 SHO 613 LH | ----Closer, complete 90° selective hold open |
| RIX 28 90 SHO 613 RH | ----Closer, complete 90° selective hold open |
| RIX 28 90 SHO 626 LH | ----Closer, complete 90° selective hold open |
| RIX 28 90 SHO 626 RH | ----Closer, complete 90° selective hold open |
| RIX 28 105 NHO LAP LH | ----Closer, less all parts 105° non-hold open |
| RIX 28 105 NHO LAP RH | ----Closer, less all parts 105° non-hold open |
| RIX 28 90 NHO LAP LH | ----Closer, less all parts 90° non-hold open |
| RIX 28 90 NHO LAP RH | ----Closer, less all parts 90° non-hold open |
| RIX 28 105 SHO LAP LH | ----Closer, less all parts 105° selective hold open |
| RIX 28 105 SHO LAP RH | ----Closer, less all parts 105° selective hold open |
| RIX 28 90 SHO LAP LH | ----Closer, less all parts 90° selective hold open |
| RIX 28 90 SHO LAP RH | ----Closer, less all parts 90° selective hold open |

- Weight to 350 lbs.
- Sizes up to 4'0" x 8'6"

Description

- Available (NHO) non-hold open or (SHO) selective hold-open at 90° or 105°
- Cylolac cement case
- Separate independent valves for closing, latch and backcheck adjustments
- Built-in positive dead stop prevents door from swinging beyond the desired opening degree
- Vertical and horizontal door adjustment
- Adjustable spring tension
- Available for floor plate or threshold application (floor plate shown)
- Standard top pivot: 340

CENTER HUNG FLOOR CLOSERS

- 30/40 Series floor closers are double acting and non-handed
- They may not be used on labeled doors and frames
- Maximum degree of opening 103°

- Two closers in one-two sets of plungers and springs for positive door control
- Overhead stop recommended and must be used on exterior doors

30/40 Series

Interior Doors



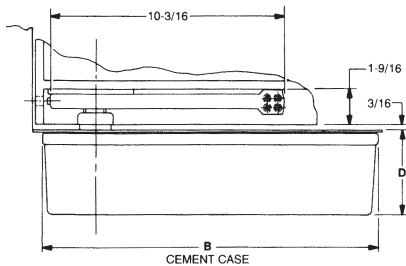
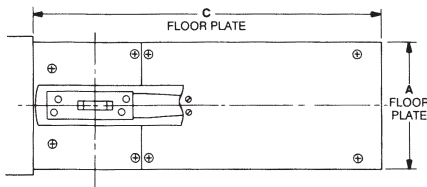
30 Series

- Weight 200 lbs
- Size 4'0" x 8'6"

40 Series

- Weight 300 lbs
- Size 4'0" x 8'6"

| Closer Number | Dimensions | | | |
|---------------|------------|---------|--------|--------|
| | A | B | C | D |
| 30 | 5-1/2 | 14-9/16 | 15-1/8 | 3-5/8 |
| 40 | 6-1/8 | 17 | 17-1/4 | 4-1/16 |



Description

- Available (NHO) non-hold open or AHO at 90° (door swings to 95°)
- Steel cement case
- Horizontal adjustment; adjusting screw on arm makes it possible to align door horizontally toward or away from frame and lock in desired position
- Vertical adjustment: Door may be raised or lowered, through the use of shims
- Adjustable spring tension and closing speed
- Available for floor plate or threshold application
- Standard top pivot: 340

Part No.

Description

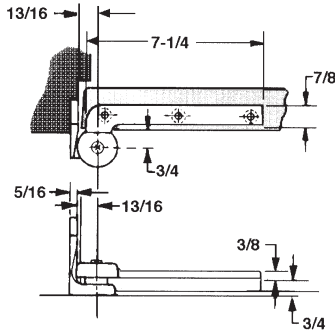
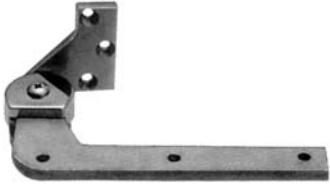
- RIX 30 NHO LAP -----Closer, less all parts non-hold open
- RIX 30 NHO 613 -----Closer, complete non-hold open
- RIX 30 NHO 626 -----Closer, complete non-hold open
- RIX 40 100 AHO 626 ---Closer, complete 100° automatic hold open
- RIX 40 100 AHO LAP---Closer, less all parts 100° automatic hold open
- RIX 40 NHO 626 -----Closer, complete non-hold open
- RIX 40 NHO LAP -----Closer, less all parts non-hold open

3/4" OFFSET HUNG PIVOT SETS

- All offset pivot sets are handed
- All pivot sets include top and bottom pivots
- 3/4" offset pivots locate the pivot point 3/4" from the heel edge of the door and 3/4" from the face of the door

117-1/4

Interior Doors



- Weight to 250 lbs
- Sizes up to 3'8" x 8'0"

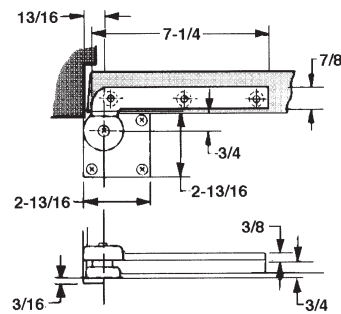
Description

- Bottom pivot mortised into side jamb
- Top pivot: 180
- Intermediate pivot required

| Part No. | Description |
|--------------------|---|
| RIX 117 1/4 613 LH | Pivot set, 3/4" offset. Interior doors to 250 lbs |
| RIX 117 1/4 613 RH | Pivot set, 3/4" offset. Interior doors to 250 lbs |
| RIX 117 1/4 626 LH | Pivot set, 3/4" offset. Interior doors to 250 lbs |
| RIX 117 1/4 626 RH | Pivot set, 3/4" offset. Interior doors to 250 lbs |

117

Interior Doors



- Weight to 300 lbs
- Sizes up to 4'0" x 8'0"

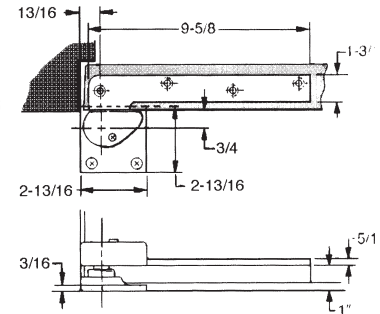
Description

- Bottom pivot mortised into floor
- Top pivot: 180
- Intermediate pivot required

| Part No. | Description |
|----------------|---|
| RIX 117 613 LH | Pivot set, 3/4" offset. Interior doors to 300 lbs |
| RIX 117 613 RH | Pivot set, 3/4" offset. Interior doors to 300 lbs |
| RIX 117 626 LH | Pivot set, 3/4" offset. Interior doors to 300 lbs |
| RIX 117 626 RH | Pivot set, 3/4" offset. Interior doors to 300 lbs |

147

Exterior or Interior Doors



- Weight to 600 lbs.
- Exterior sizes up to 3'6" x 7'0"
- Interior sizes up to 4'0" x 8'6"

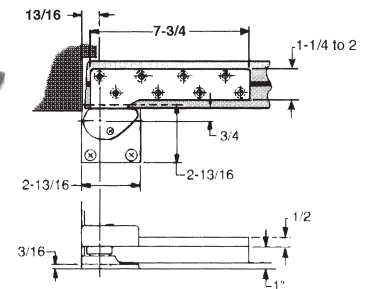
Description

- Bottom pivot mounts directly to floor
- Uses same arm cover cap as 27 floor closer
- Top pivot: 180
- Intermediate pivot required
- Non-ferrous base metal
- 3/4" offset

| Part No. | Description |
|----------------|---|
| RIX 147 613 LH | Pivot set, 3/4" offset. Ext. or int. doors to 600 lbs |
| RIX 147 613 RH | Pivot set, 3/4" offset. Ext. or int. doors to 600 lbs |
| RIX 147 626 LH | Pivot set, 3/4" offset. Ext. or int. doors to 600 lbs |
| RIX 147 626 RH | Pivot set, 3/4" offset. Ext. or int. doors to 600 lbs |

L147

Lead Lined Doors



- Weight to 1000 lbs.
- Sizes up to 4'0" x 8'0"

Description

- Bottom pivot mounts directly to floor
- Designed for lead lined doors with lead in center of door
- Screw holes straddle the lead lining
- Intermediate pivot required
- Non-ferrous base metal
- 3/4" offset

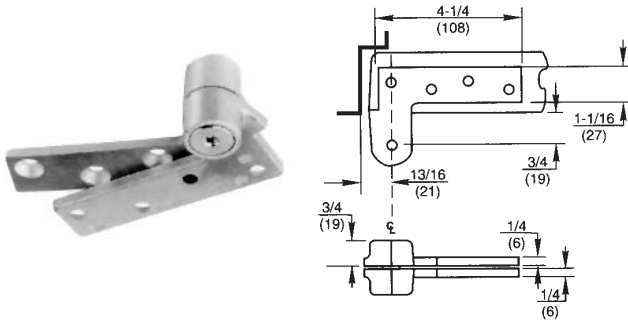
| Part No. | Description |
|-----------------|--|
| RIX L147 626 LH | Pivot set, 3/4" offset. Ext. or int. doors to 1000 lbs |
| RIX L147 626 RH | Pivot set, 3/4" offset. Ext. or int. doors to 1000 lbs |

OFFSET HUNG TOP PIVOTS

- A top pivot is an integral part of the pivot set. A special top pivot may be required when special door or frame conditions are present
- All offset top pivots are available in 3/4" offset and most are available in 1 1/2" offset
- Door edges must be beveled 1/8" in 2"
- Unless otherwise noted, pivots are manufactured in non-ferrous materials
- Available in standard architectural finishes

Model 180

Full Mortise, non-handed pivot



- Standard top pivot for most offset pivot sets and floor closers
- Available for fire assemblies (ferrous material), specify: F180
- Oil impregnated sintered bronze bearing
- Non-ferrous base metal
- 3/4" offset

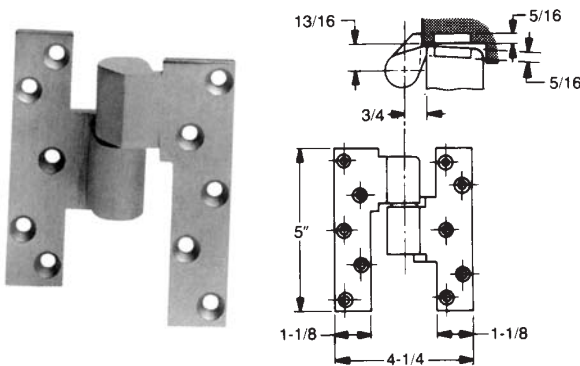
| Part No. | Description |
|-------------|----------------|
| RIX 180 613 | -----Top pivot |
| RIX 180 626 | -----Top pivot |

INTERMEDIATE OFFSET HUNG PIVOTS

- Specified to maintain door alignment
- Offset hung and cannot be used on center hung doors
- On labeled fire door assemblies, NFPA 80 requires an intermediate pivot for every additional 30" or fraction thereof of door height over 60"
- Door edges must be beveled 1/8" in 2"
- Unless otherwise noted, pivots are manufactured in non-ferrous materials
- Available in standard architectural finishes

Model M19

Full mortise, handed, intermediate pivot



- Available in bronze or aluminum in all architectural or sprayed finishes
- Available for fire door assemblies (ferrous material)
- Non-ferrous base metal
- 3/4" offset

| Part No. | Description |
|----------------|---|
| RIX M19 613 LH | -----Intermediate pivot, 3/4" offset full mortise |
| RIX M19 613 RH | -----Intermediate pivot, 3/4" offset full mortise |
| RIX M19 626 LH | -----Intermediate pivot, 3/4" offset full mortise |
| RIX M19 626 RH | -----Intermediate pivot, 3/4" offset full mortise |

Model ML19

- Like M19 but designed for doors with lead in center of door
- Screw holes straddle the lead lining
- Available to accommodate door thicknesses 1 3/4", 2", 2 1/4", 2 1/2", or 3"
- Non-ferrous material
- FML19 available. 1 3/4" doors only

| Part No. | Description |
|------------------|---|
| RIX ML19 626 LH* | -----Intermediate pivot, 3/4" offset full mortise |
| RIX ML19 626 RH* | -----Intermediate pivot, 3/4" offset full mortise |

* For lead lined doors

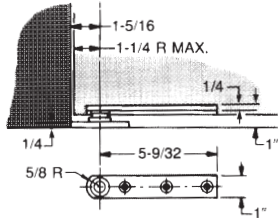
CENTER HUNG PIVOT SETS AND TOP PIVOTS

- All center hung pivot sets are double acting unless stopped by some means on the door frame
- Not allowed for use on labeled doors and frames
- Center hung sets are concealed to create a neat appearance
- Intermediate pivots are not used with center hung pivot sets

- Available in standard architectural finishes
- Centered in thickness of door
- Not recommended for door heights in excess of 8'6"
- Doors do not return to center
- Door must be radiused on pivot edge

128 3/4 Series

Interior Doors



- Weight to 250 lbs
- Sizes up to 3'6" x 8'6"

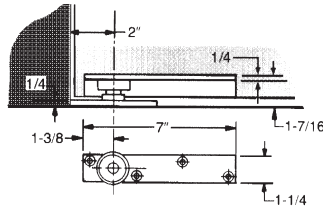
Description

- Bottom pivot mounts directly to floor
- Top pivot furnished: 320 light duty

| Part No. | Description |
|-----------------|--------------------------------------|
| RIX 128 3/4 613 | Pivot set, Interior doors to 250 lbs |
| RIX 128 3/4 626 | Pivot set, Interior doors to 250 lbs |

370 Series

Exterior or Interior Doors



- Weight to 500 lbs
- Sizes up to 4'0" x 8'6"

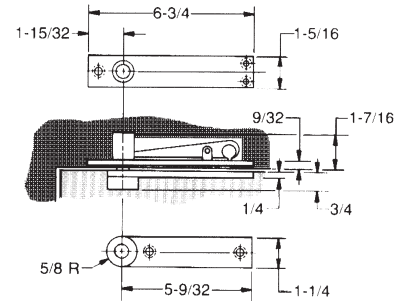
Description

- Bottom pivot mounts directly to floor
- Pivot set features sealed bearings for protection against weather and debris
- Top pivot furnished: 340

| Part No. | Description |
|-------------|--|
| RIX 370 626 | Pivot set, exterior or interior doors to 500 lbs |

Model 340 Center Hung Top Pivot

Top Pivot for Center Hung Doors



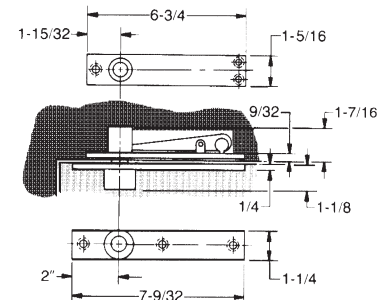
Description

- Standard top pivot for Models 370 and 1173/4 pivot sets. Also used for 28, 30, 40 and 50 Series floor closers
- Walking beam-type pivot. 1/2" diameter pivot pin with 3/4" engagement
- Oil impregnated sintered bronze bearing
- Completely concealed when door is closed

| Part No. | Description |
|-------------|-------------|
| RIX 340 613 | Top Pivot |
| RIX 340 626 | Top Pivot |

Model H340 Center Hung Top Pivot

Heavy Duty Top Pivot for Center Hung Doors



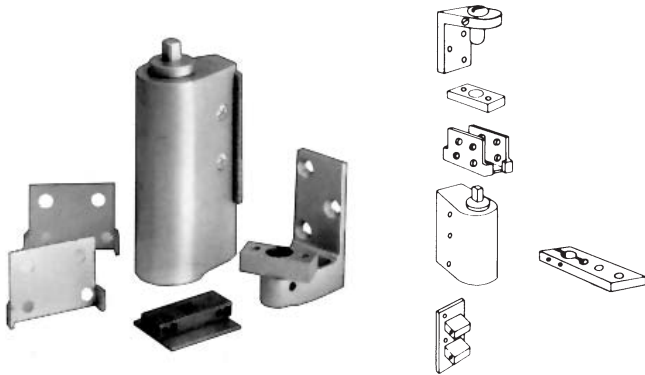
- Standard top pivot for Model H1173/4 pivot set. Also used for H28 and H40 Series floor closers
- Walking beam-type pivot. 11/16" diameter pivot pin with 3/4" engagement
- Heavy duty needle bearing
- Completely concealed when door is closed

| Part No. | Description |
|--------------|-------------|
| RIX H340 626 | Top Pivot |

GATE CLOSERS

Model 356

Double Acting



Recommended for office rail gates, partitions, and lavatory stall doors.

Description

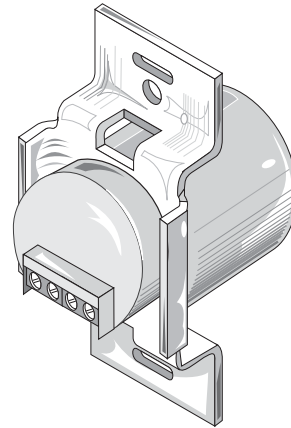
- Non-handed
- Dwarf doors from 2'2" wide to 3'0", 13/4" thick only (75 lbs.)
- Maximum opening 90°
- Arm adjustment. Door normally comes to rest at closed position. If door is to remain open, arm is set on spindle so door comes to rest at 90°
- Surface mounted top pivot 3541020
- Package also includes closer bracket and arm that may be surface mounted or mortised
- Carry full weight of door when pivotal hung
- Quiet control
- No slamming or flapping
- Arm can be adjusted so that door stands ajar at any degree
- All moving parts enclosed and fully immersed in lubricating checking fluid
- Painted finishes: SA, SB

| Part No. | Description |
|-----------------|---------------------------------------|
| RIX 356 SA----- | Closer, complete. Sprayed aluminum |
| RIX 356 SB----- | Closer, complete. Sprayed dark bronze |

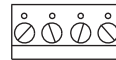
ELECTROMAGNETIC DOOR RELEASES

Door control for fire and smoke barrier doors and other remote door release applications

Triple Voltage Coil



Triple voltage coil makes installation and ordering simple chores. One magnet can receive 12 VDC, 24VAC/DC and 120 VAC. There are no wires leading from the coil, only a terminal strip. This coil draws less amps than conventional magnets. Available on most models.



See the symbol in the product description section.

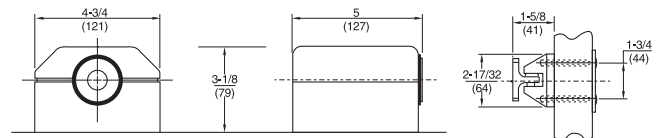
Model 980

Floor Mount — Single Door



Description

- Concealed wiring
- Total floor space required: 6⁵/₈"
- Mounting requirements: Conduit connects directly to floor plate



| Part No. | Description |
|--------------------|------------------------------|
| RIX FM980 SA ----- | Electromagnetic Door Release |

ELECTROMAGNETIC DOOR RELEASES

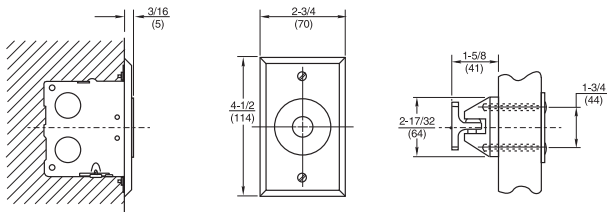
Model 990

Wall Mount—Low Profile—Concealed Wiring



Description

- Total Projection 1¹³/₁₆"
- Mounting Requirements: 2" × 4" × 2¹/₂" outlet box
- Wall must be properly reinforced and outlet box adequately fastened



Part No. RIX FM990 SA **Description** Electromagnetic Door Release, Alum. finish

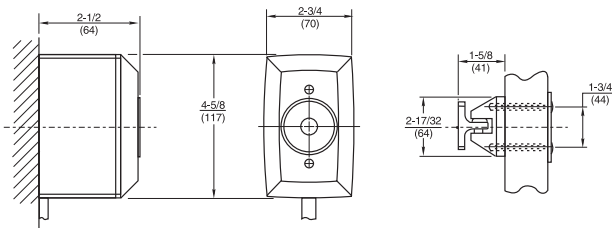
Model 996

Wall Mount—Surface Wiring



Description

- Total projection: 4¹/₈"
- Mounting Requirements: 1¹/₂" deep adapter housing



Part No. RIX FM996 SA **Description** Electromagnetic Door Release, Alum. finish

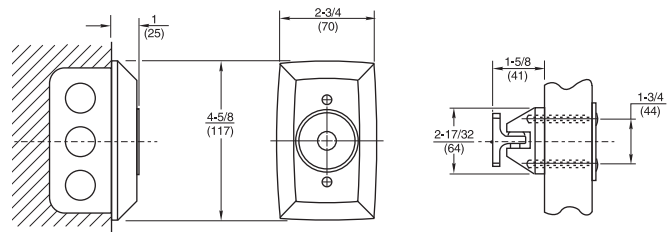
Model 997

Wall Mount—Concealed Wiring



Description

- Total Projection 2⁵/₈"
- Mounting Requirements: 2" × 4" × 1³/₄" outlet box
- Wall must be properly reinforced and outlet box adequately fastened



Part No. RIX FM997 SA **Description** Electromagnetic Door Release, Alum. finish

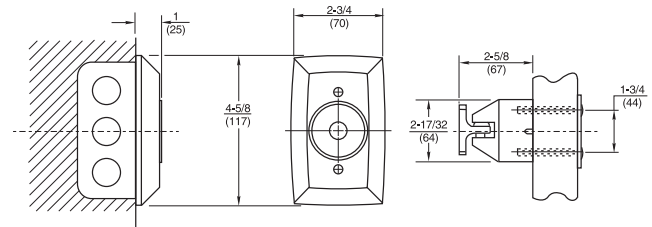
Model 998

Wall Mount—Standard Doors—Concealed Wiring



Description

- Total Projection 3⁵/₈"
- Mounting Requirements: 2" × 4" × 1³/₄" outlet box
- Wall must be properly reinforced and outlet box adequately fastened

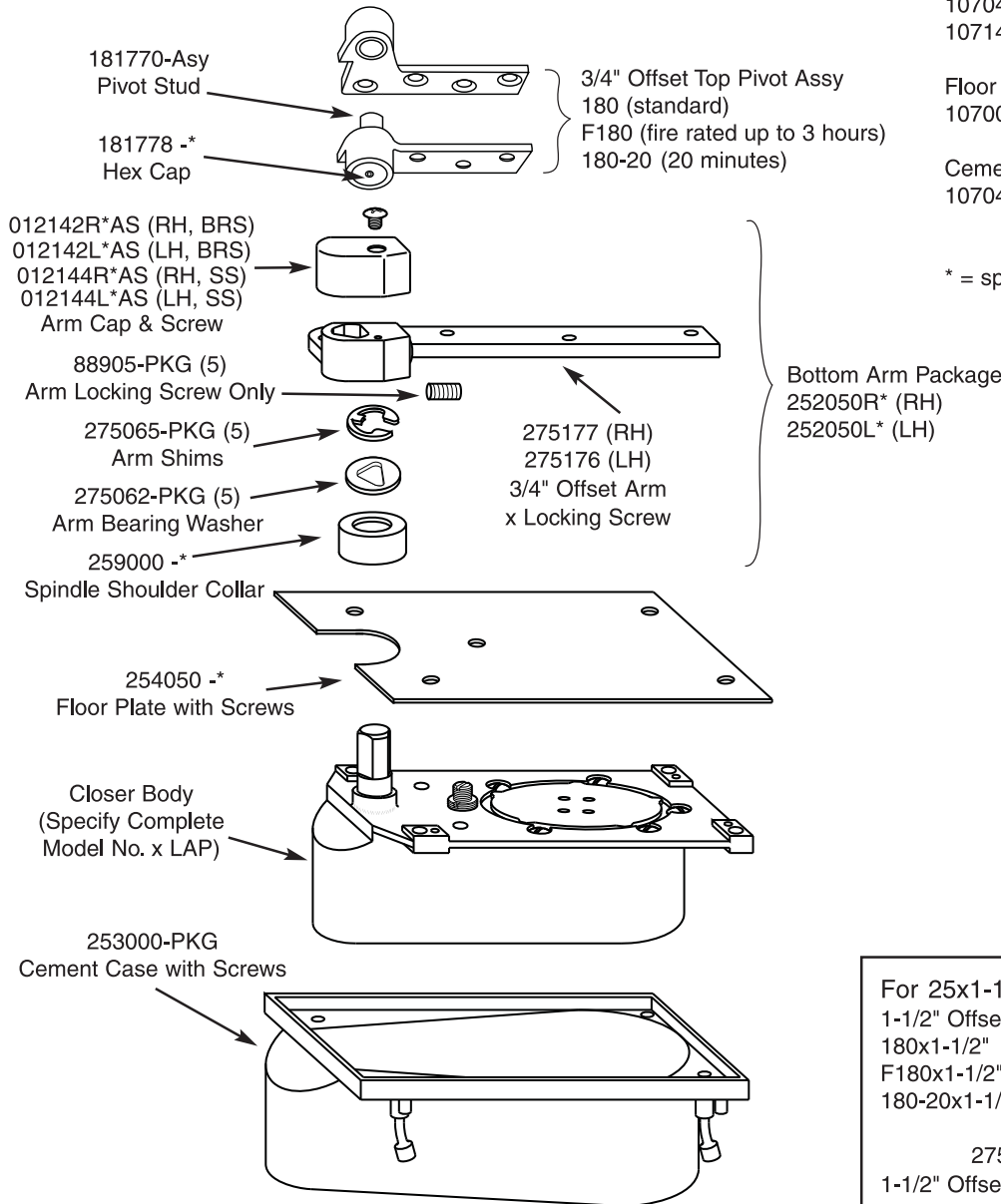


Part No. RIX FM998 SA **Description** Electromagnetic Door Release, Alum. finish

PARTS BREAKDOWN — HEAVY DUTY FLOOR CLOSERS

Model 25

Right Hand Shown
3/4" Offset



180 Screw Kit
107014 - * Machine (2 required)
107114 - * Wood (2 required)

Arm Screw Kit
107044 Machine
107144 Wood

Floor Plate Screw Kit
107004 - *

Cement Case Screw Kit
107046

* = specify finish

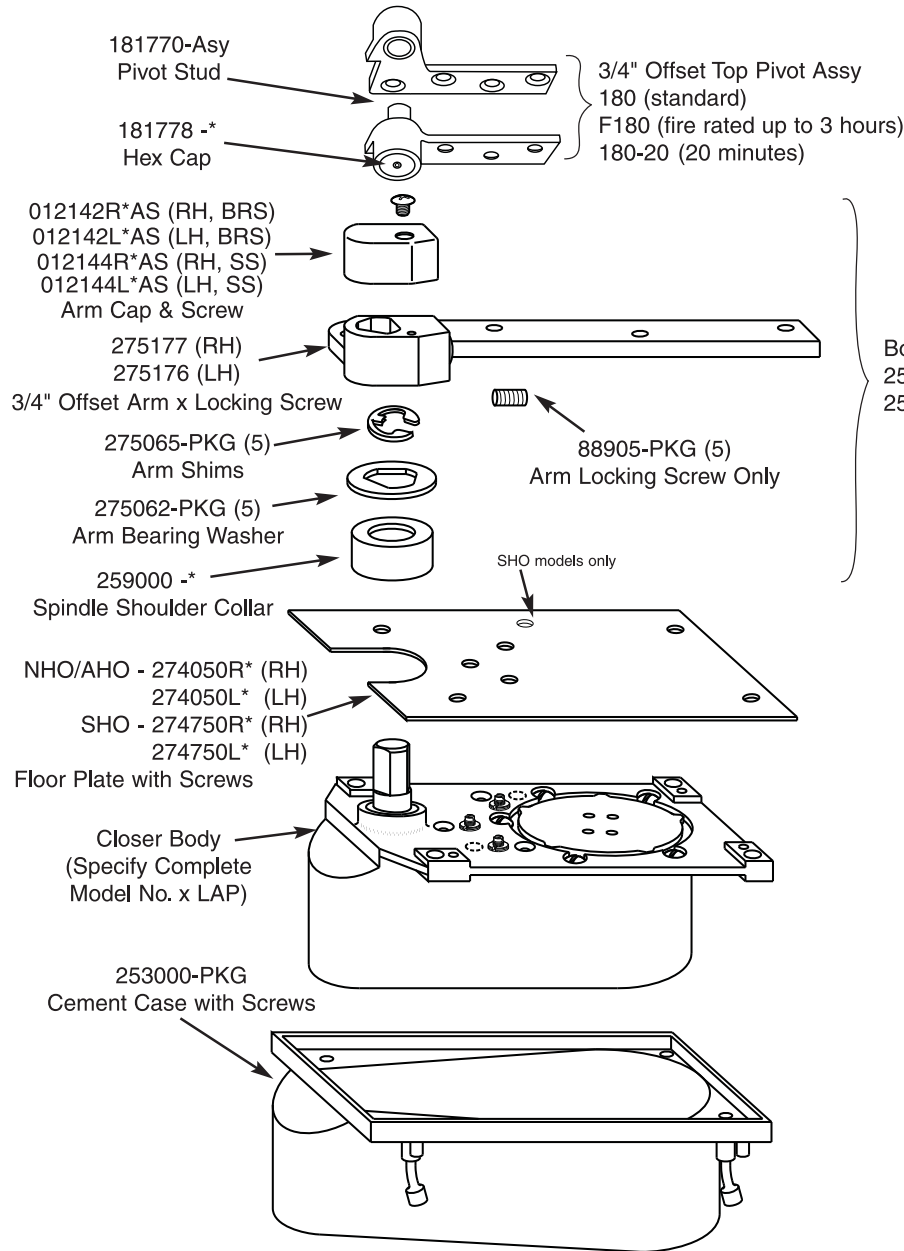
For 25x1-1/2" Offset
1-1/2" Offset Top Pivot Assy
180x1-1/2" (standard)
F180x1-1/2" (fire rated up to 3 hours)
180-20x1-1/2" (20 minutes)

275167 - *
1-1/2" Offset Arm x Locking Screw

PARTS BREAKDOWN — HEAVY DUTY FLOOR CLOSERS

Model 27

Right Hand Shown
3/4" Offset



180 Screw Kit
107014 - * Machine (2 required)
107114 - * Wood (2 required)

Arm Screw Kit
107044 Machine
107144 Wood

Floor Plate Screw Kit
107004 -*

Cement Case Screw Kit
107046

* = specify finish

Bottom Arm Package
252050R* (RH)
252050L* (LH)

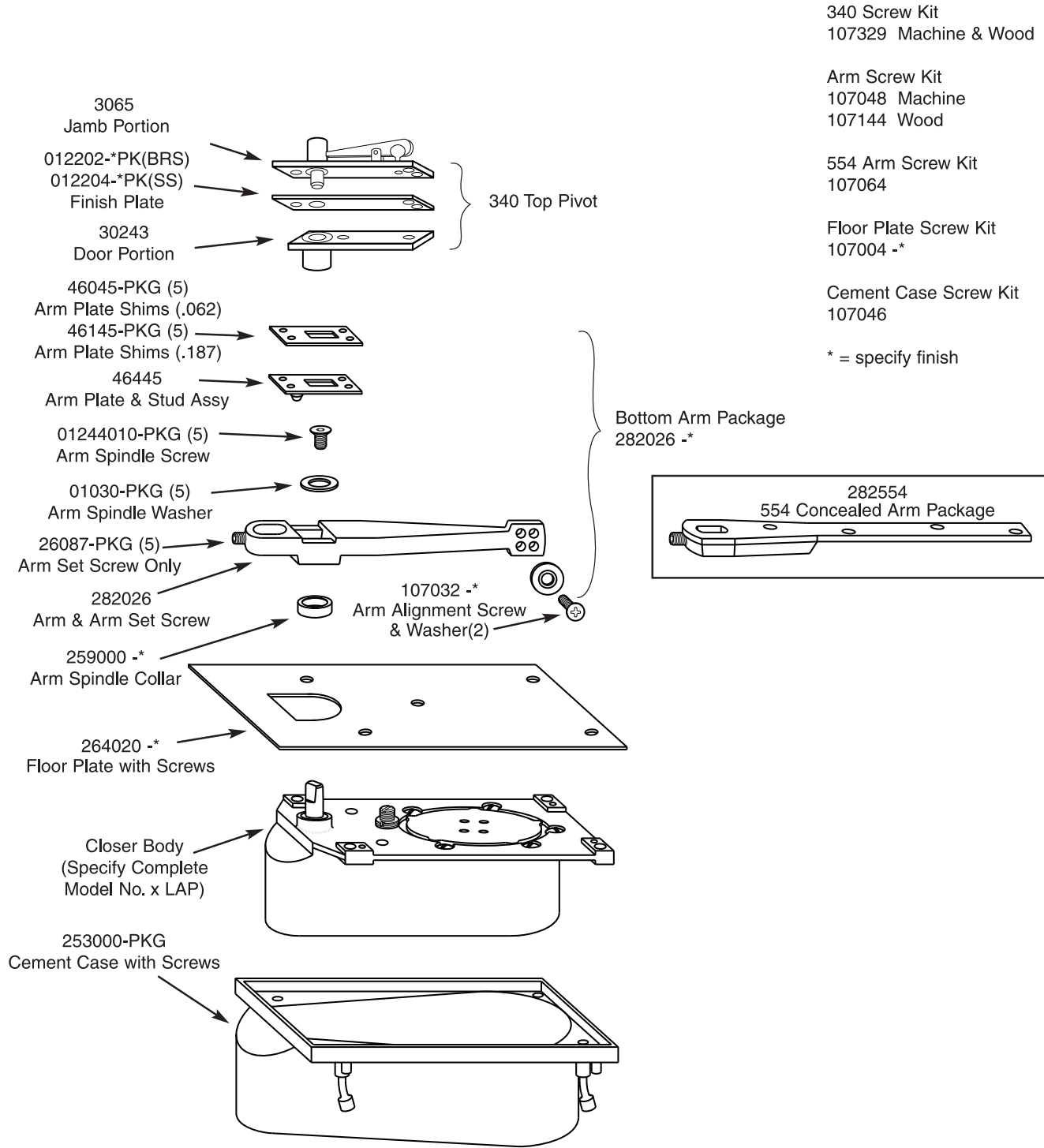
For 27x1-1/2" Offset
1-1/2" Offset Top Pivot Assy
180x1-1/2" (standard)
F180x1-1/2" (fire rated up to 3 hours)
180-20x1-1/2" (20 minutes)

275167 -*
1-1/2" Offset Arm x Locking Screw

Bottom Arm Package
1-1/2" Offset
252060 -*

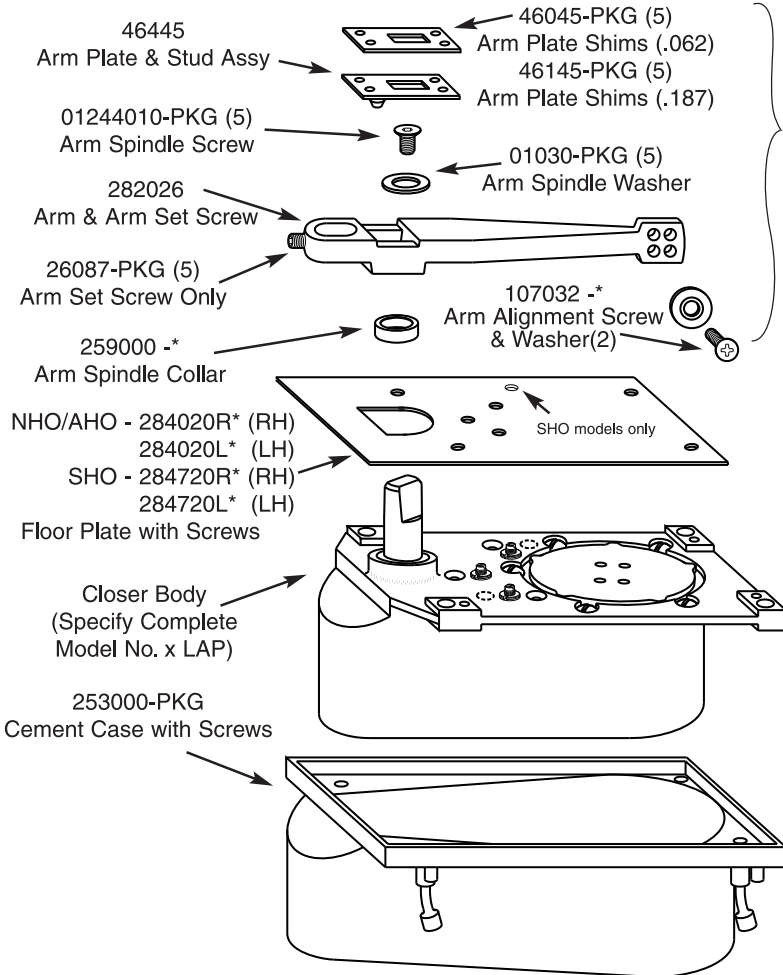
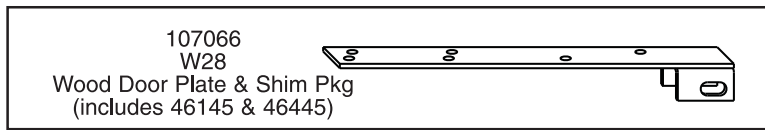
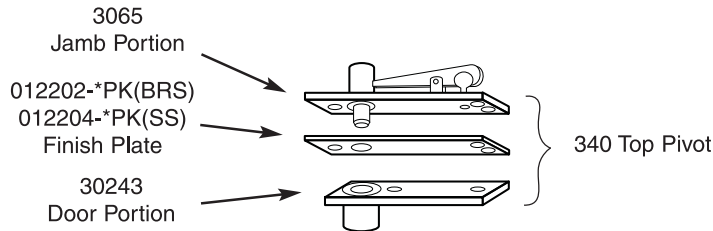
PARTS BREAKDOWN — HEAVY DUTY FLOOR CLOSERS

Model 26

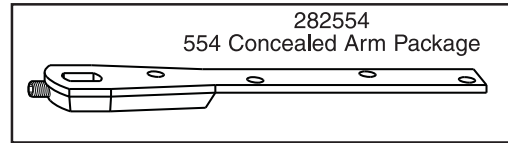


PARTS BREAKDOWN — HEAVY DUTY FLOOR CLOSERS

Model 28



Bottom Arm Package
282026 -*



340 Screw Kit
107329 Machine & Wood

Arm Screw Kit
107048 Machine
107144 Wood

554 Arm Screw Kit
107064

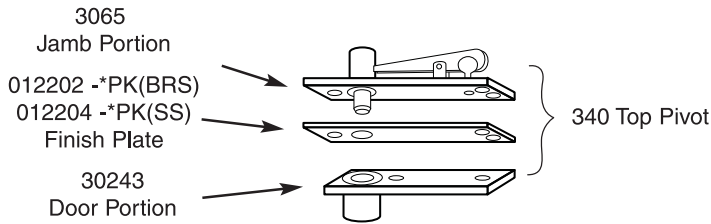
Floor Plate Screw Kit
107004 -*

Cement Case Screw Kit
107046

* = specify finish

PARTS BREAKDOWN — HEAVY DUTY FLOOR CLOSERS

Model 30



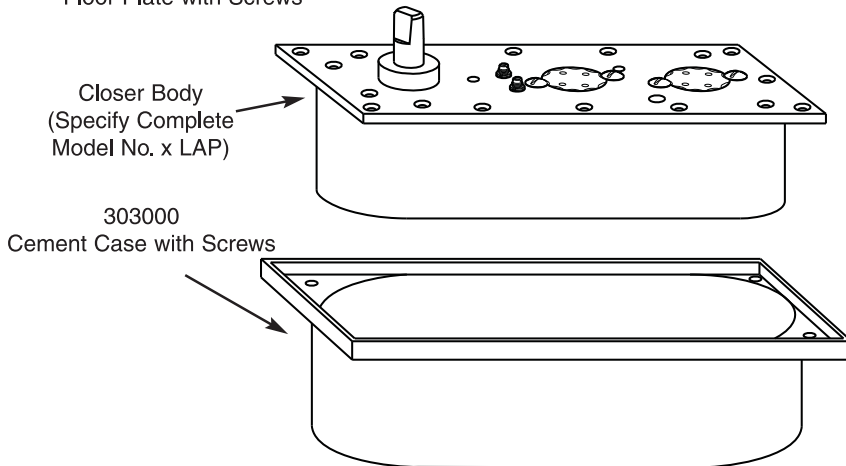
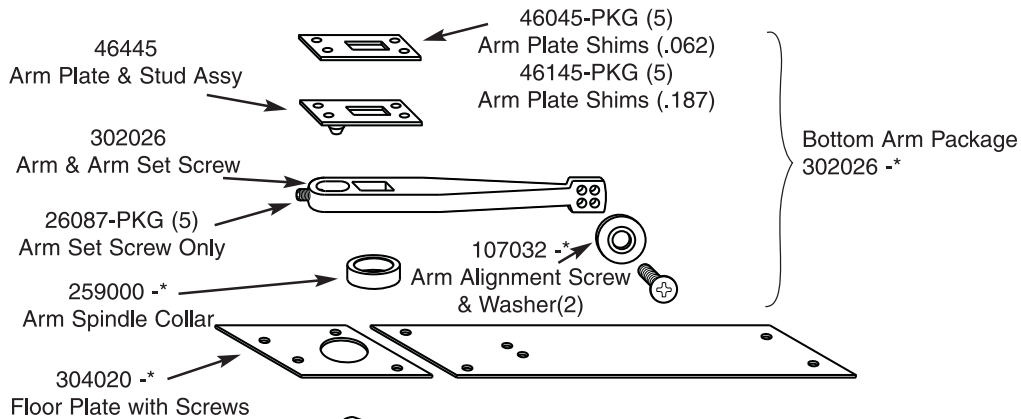
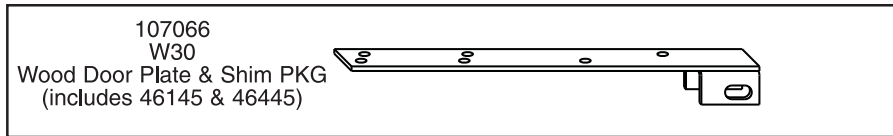
340 Screw Kit
107329 Machine & Wood

Arm Screw Kit
107048 Machine
107144 Wood

Floor Plate Screw Kit
107004 -*

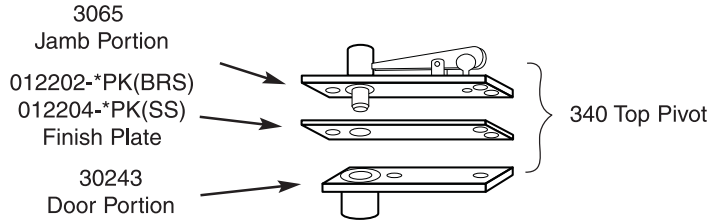
Cement Case Screw Kit
107046

* = specify finish



PARTS BREAKDOWN — HEAVY DUTY FLOOR CLOSERS

Model 40



340 Screw Kit
107329 Machine & Wood

Arm Screw Kit
107048 Machine
107144 Wood

Floor Plate Screw Kit
107004 -*

Cement Case Screw Kit
107046

* = specify finish

