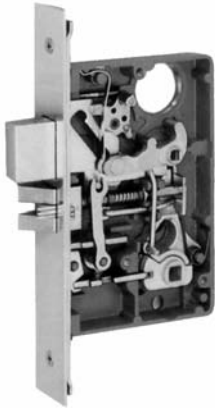


6 SERIES

Mortise Lock Bodies for Knobs and Levers

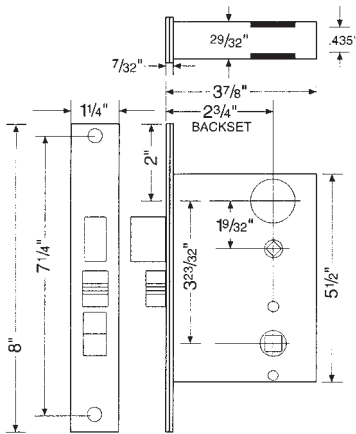


Features

- 2³/₄" Backset
- Field reversible
- Meets ANSI 156.13, Grade 2
- A115.1 door preparation

Specifications

- Case: High pressure cast Zamac
- Front: Flat steel backplate .110" thick with armor plate .060" thick, standard front 1¹/₄ × 8"
- Deadbolt: Cast alloy. Full 1" throw.
- Latch: Solid brass with steel anti-friction latch levers, 5/8" throw, reversible
- Rocker Switch: Locks or unlocks hub
- Hub Lock Arm: Steel .125 thick.
- Hubs: 9/32" on square forged brass w/ security separator
- Cam: #2101 straight cylinder cam required



Function



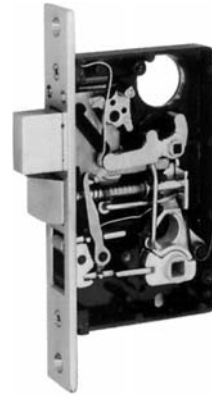
F Dormitory (ANSI F12)
 Latch by knob either side except when outside knob locked by stopbutton or projected deadbolt. Deadbolt by turnpiece inside. Inside knob retracts latch and deadbolt simultaneously, leaving outside locked. Deadbolt deadlocks latch.

Mortise Lock Bodies for Handlesets

Part No.	Description
MRK 6 F 3 LH -----	Part, Mortise Body LH US3
MRK 6 F 3 RH -----	Part, Mortise Body RH US3

8 AND 9 SERIES

Mortise Lock Bodies for Knobs/Levers

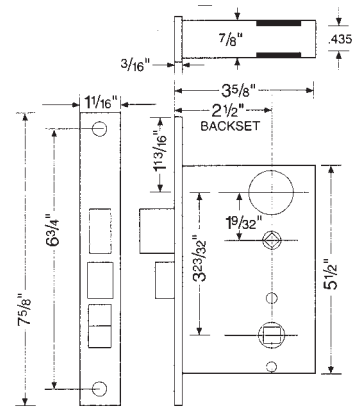


Features

- 2¹/₂" Backset
- Field reversible
- Meets ANSI 156.13, Grade 2
- A115.1 door preparation

Specifications

- Case: High pressure cast Zamac
- Front: Flat, solid brass .187" thick, standard front 1¹/₁₆ × 7⁵/₈"
- Deadbolt: Cast alloy, full 1" throw.
- Latch: Solid brass with steel anti-friction latch levers, 5/8" throw, reversible
- Rocker Switch: Locks or unlocks hub
- Hub Lock Arm: Steel, .125 thick
- Hubs: 9/32" on square forged brass w/ security separator
- Cam: #2101 straight cylinder cam required



Function



F Dormitory (ANSI F12)
 Latch by knob either side except when outside knob locked by stopbutton or projected deadbolt. Deadbolt by turnpiece inside. Inside knob retracts latch and deadbolt simultaneously, leaving outside locked. Deadbolt deadlocks latch.

Mortise Lock Bodies for Knob or Lever Sets

Part No.	Description
MRK 9 F 3 LH -----	Part, Mortise Body LH US3
MRK 9 F 3 RH -----	Part, Mortise Body RH US3

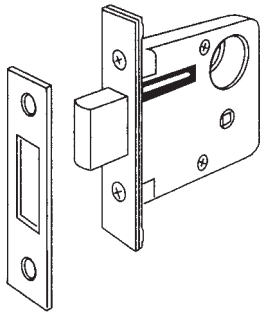
Mortise Lock Bodies for Handlesets

Part No.	Description
MRK 8 F 3 LH -----	Part, Mortise Body LH US3
MRK 8 F 3 RH -----	Part, Mortise Body RH US3

3 SERIES

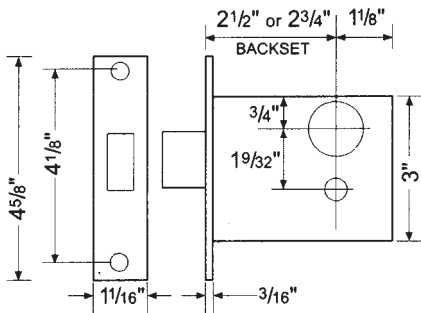
Mortise Deadbolts

Meets ANSI 156.5, Grade 2



Specifications

- Bolt: 1" throw
- Case: High pressure cast
- Front: Flat
- Cylinder: Standard 5 pin w/ 2 keys
- Strike: #4035 included



Function



K Cylinder x Turnpiece (ANSI E06072)
Deadbolt by inside turnpiece or outside key.

Part No.	Description
MRK 3 K 32D	Deadbolt, 2 3/4 Mortise 32D

195 "SURVIVOR" SERIES

Cylindrical Locksets

ANSI A156.2, Grade 1








Features

- U.L. Listed, 3 hr fire rated
- Thru-bolted spring loaded roses
- Cast stainless steel retractor with roller bearings
- Standard keyway: 6 pin, MARKS "C" (accepts Schlage "C")
- Standard backset: 2 3/4"

Specifications

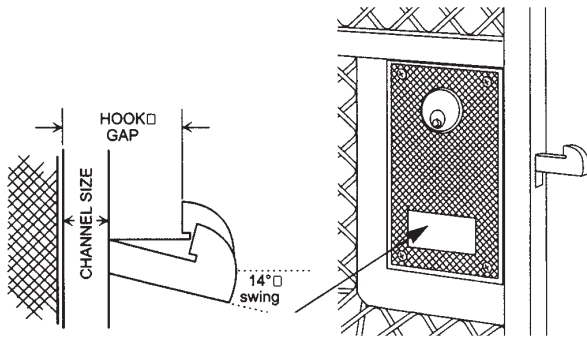
- Latch: #1834
- Backset: 2 3/4"
- Front: 1 1/8 x 2 1/4"
- Levers: Independent spring-loaded, cast Zamac with 1/2" return
- Roses: Thru-bolted, 37/16" dia., automatically adjusts for door thickness
- Cylinder: Solid brass, 6 pin MARKS "C" keyway, 2 nickel-silver keys
- Strike: T-Strike, 47/8" with curved lip
- Door Thickness: 1 5/8" to 1 7/8"

Functions

-  AB Entrance (ANSI F81, F82)
Outside locked by pushing turn button inside. Key outside opens lock. Rotating inside lever releases button and outside lever. By pushing and turning inside button, outside lever remains locked.
Part No.
MRK 195 AB 26D
-  F Storeroom (ANSI F86)
Latch by lever inside, key outside. Outside lever always rigid.
Part No.
MRK 195 F 26D
-  L Privacy (ANSI F76)
Latch by lever either side unless outside lever locked by push button from inside. Outside unlocks by turning inside lever, or outside emergency button or closing door.
Part No.
MRK 195 L 26D
-  N Passage (ANSI F75)
Latch by lever either side.
Part No.
MRK 195 N 26D
-  S Classroom (ANSI F84)
Latch by lever inside. Outside lever locked or unlocked by key outside.
Part No.
MRK 195 S 26D

GATE HARDWARE

Sliding Gate Lock

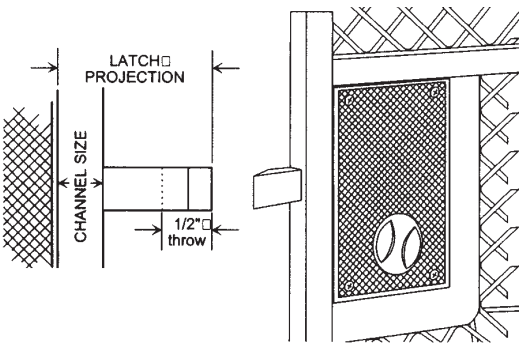


Features

- “No Fall Out” — parts will not fall out when cover is removed
- Replaces Multilock gate locks
- Easily reversible
- Case, cast aluminum measuring $3\frac{5}{8} \times 6\frac{1}{4} \times 1$ "
- Groove: $\frac{1}{2}$ " wide \times $\frac{3}{16}$ " deep, all sides for wire gate insertion
- Lock only, no keeper furnished
- Single Cylinder model
- Hook gap is .825"
- Channel size is $\frac{1}{2}$ "

Part No.	Description
MRK W3800	Sliding Gate Lock

Swinging Gate Lock

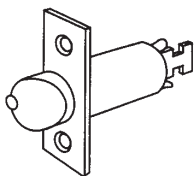


Same Features as the Sliding Gate

Part No.	Description
MRK W3700 RH	Swinging Gate Lock, Reversible

Latches

For use with 110/120/190 Series.



- Grade 2
- Throw: $\frac{1}{2}$ "
- $1 \times 2\frac{1}{4}$ "

Part No.	Description
MRK 1138A 32D	Part, Latch $2\frac{3}{8}$ DL